



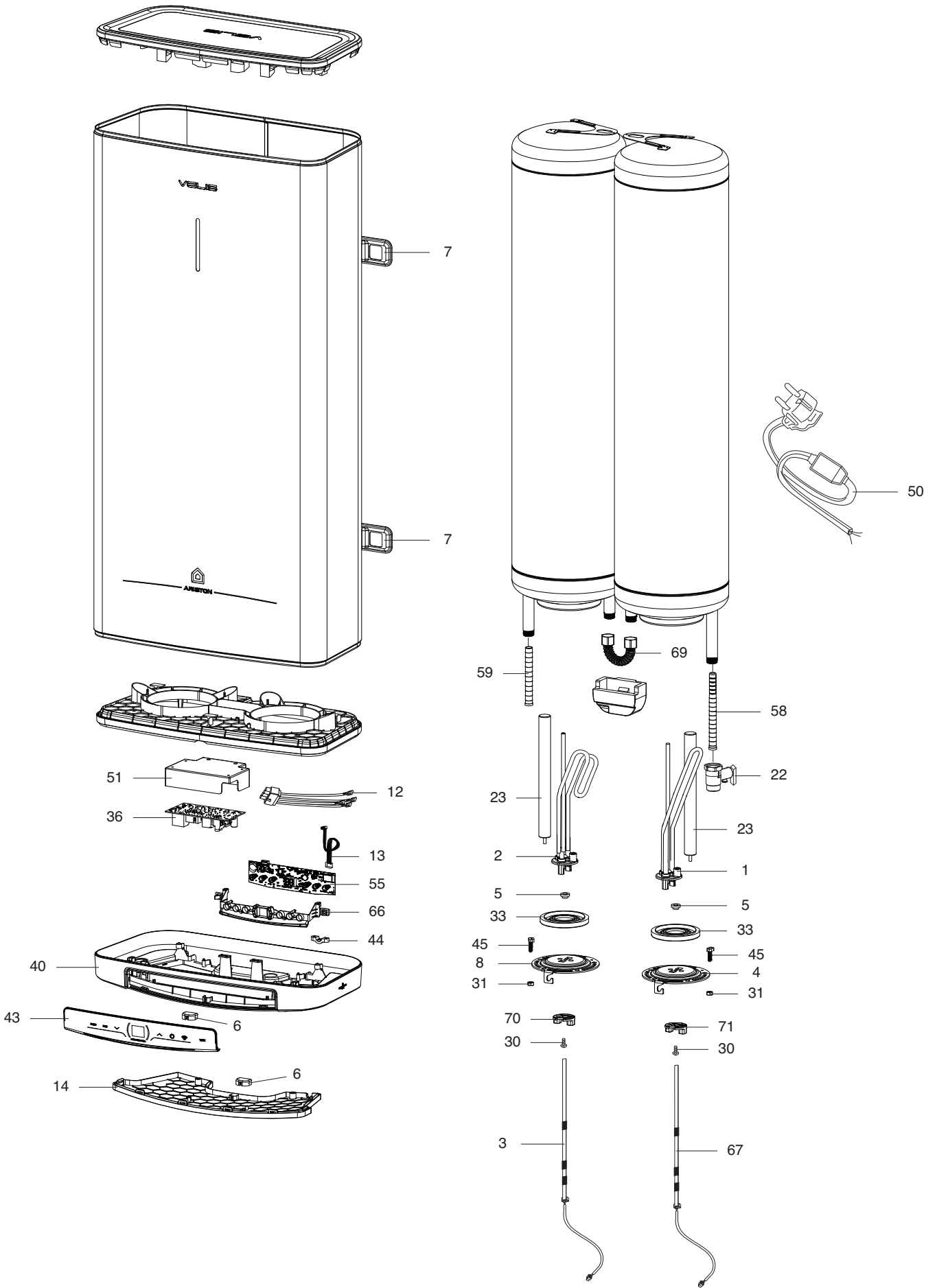
SPARE PARTS EXPLODED VIEW
STORAGE ELECTRIC WATER HEATERS
Model
VELIS LUX PW ABSE WIFI

R8218673-01 - 07/04/2021

VELIS LUX PW ABSE WIFI

Storage Electric Water Heaters

1	3700673	VELIS LUX INOX PW ABSE WIFI 30	04-2021	-
2	3700693	VELIS LUX PW ABSE WIFI 30	04-2021	-
3	3700674	VELIS LUX INOX PW ABSE WIFI 50	04-2021	-
4	3700694	VELIS LUX PW ABSE WIFI 50	04-2021	-
5	3700675	VELIS LUX INOX PW ABSE WIFI 80	04-2021	-
6	3700695	VELIS LUX PW ABSE WIFI 80	04-2021	-
7	3700676	VELIS LUX INOX PW ABSE WIFI 100	04-2021	-
8	3700696	VELIS LUX PW ABSE WIFI 100	04-2021	-
Col	Reference	Model type	Begin	End



LIST OF THE ABBREVIATIONS

HW	: Hot water.
CW	: Cold water.
C	: Ceramic resistance (normal heating).
Ca	: Ceramic resistance (accelerated heating)
TP	: Immersion heater.
1F	: With fittings.
2F	: Without fittings.
3F	: With fittings and another outlet connection.
AMI	: With mixing valve.
SMI	: Without mixing valve.
PUISS	: Power of th appliance.
PN	: Appliance with normal pression.
LP	: Appliance with low pression.
PV	: Appliance with variable power.
PF	: Appliance with fixed power.

IDENTIFICATION PLATE

SERIAL NUMBER

6 Characters :
 Year of manufacture 03 09 08 Manufacturing day
 Month of manufacture

9 Characters :
 Year of manufacture 5 9 12 0606 Sequential number
 Month of manufacture

14 Characters :
 SI-V-0B0 45 07 0001
 Sequential number
 Year of manufacture : 6 → 2004
 Month of manufacture : → 25 → January 43 → July 7 → 2005
 13 → February 29 → August 8 → 2006
 32 → March 40 → September etc ...
 35 → April 38 → October
 39 → May 51 → November
 45 → June 12 → December
 Product model

14 Characters :
 111518 XX 000010
 Month of manufacture
 Day of manufacture Sequential number
 Year of manufacture

15 Characters :
 02 11 00001 007843
 Year of manufacture Product reference
 Month of manufacture Sequential number

21 Characters :
 3200050 XX 08115 0000001
 Product reference Sequential number
 Year (08) / Manufacturing day (115)

22 Characters :
 3200050 XX 070115 0000001
 Product reference Sequential number
 Year (07) / Month (01) / Manufacturing day (15)