

**EN** INSTANTANEOUS ELECTRIC WATER HEATER

**RUS** ПРОТОЧНЫЙ ЭЛЕКТРИЧЕСКИЙ ВОДОНАГРЕВАТЕЛЬ




**UA** ПРОТОЧНИЙ ЕЛЕКТРИЧНИЙ ВОДОНАГРІВАЧ

**KZ** ЛЕЗДІК ЭЛЕКТР СУ ҚЫЗДЫРҒЫШЫ
















**GE** მყისიერი ელექტრო წყლის გამაცხელებელი

## GENERAL SAFETY INSTRUCTION

1. This manual is an integral part of the product. Keep it with care with the appliance, and hand it on to the next user/owner in case of change of property.
2. Read the instructions and warning in this manual carefully, they contain important information regarding safe installation, use and maintenance.
3. The appliance must be installed and commissioned by a qualified technician in accordance with local legislation and health and safety regulations. All power circuits must be shut off before you open the terminal block.
4. **DO NOT** use the appliance for any other than its specified use. The manufacturer is not liable for damage resulting from improper or incorrect use or failure to observe the instructions given in this manual.
5. Incorrect installation can result in damage to property and injury to persons and animals; the manufacturer is not liable for the consequences.
6. **DO NOT** leave the packaging materials (staples, plastic bags, expanded polystyrene, etc.) within the reach of children - they can cause serious injury.
7. **This appliance can be used by children aged from 3 years and above and persons with reduced physical, sensory or mental capabilities or lack of experience and knowledge if they have been given supervision or instruction concerning use of the appliance in a safe way and understand the hazards involved. DO NOT permit children to play with the appliance. User cleaning and maintenance may not be done by unsupervised children.**
8. Any repairs, maintenance, plumbing and electrical hookup must be done by qualified technicians using original spare parts only. Failure to observe the above instructions can compromise the safety of the appliance and relieves the manufacturer of any liability for the consequences.
9. The hot water temperature is regulated by a thermostat which also acts as a safety device to prevent dangerous overheating.
10. The electrical hookup must be done as indicated in this manual.
11. If the appliance is equipped with a power cord, the latter may only be replaced by an authorised service centre or professional technician.
12. Make sure to drain the appliance when it is out of service or in an area subject to subzero temperatures.
13. Do not leave flammable materials in contact with or in the vicinity of the appliance.
14. **DO NOT** touch the appliance when barefoot or if any part of your body is wet
15. Before using the device and after routine or extraordinary maintenance, we recommend filling the appliance's tank with water and draining it completely to remove any residual impurities.
16. Do not place anything under the water heater which may be damaged by a leak.

Symbol	Meaning
	Failure to observe this warning can result in injury, which may even be fatal in certain circumstances
	Failure to observe this warning can result in damage or injury, even to property; plants and animals
	Observe the product's general and specific safety instructions.

## GENERAL SAFETY STANDARDS

Ref.	Warning	Risk	Symbol
1.	Do not open the appliance or remove from its installation	Electrocution hazard due to the presence of live electrical equipment. Personal injury -overheated burns caused by components and wounds caused by sharp edges	
2.	Do not start or stop the appliance by inserting/pulling the power plug	Electrocution hazard due to damage to the power cord, its plug or the socket	
3.	Do not damage the power cord	Electrocution hazard due to bare live wires	
4.	Do not leave objects on the appliance	Personal injury due to objects falling off the appliance as a result of vibration	
		Damage to the appliance or other property due to objects falling off the appliance as a result of vibration	
5.	Do not climb onto the appliance	Personal injury due to falling off the appliance	
		Damage to the appliance or other property due to the appliance itself detaching from its mounting	
6.	Do not clean the appliance without having first switched it off, pulled its power plug or shut off its power switch	Electrocution hazard due to the presence of live electrical equipment	
7.	Install the appliance to a solid wall which is not subject to vibration	Danger of the appliance falling off the wall due to structural collapse, or noisy operation	
8.	Make the electrical hookup with cables of adequate cross-section	Danger of fire due to overheating of undersized electrical wires	
9.	Restore all safety and control functions after working on the appliance and check that they are operational before returning it to service	Damage or blocking of the appliance due to improper control	
10.	Drain all components containing hot water, using the bleed cocks, before handling them	Danger of burns	
11.	Descal the system as given in the products "safety sheet"; when doing so, ventilate the room, wear safety clothing, make sure not to mix products, and protect the appliance itself and any adjacent objects	Personal injury due to contact of the skin and eyes with acid, inhalation or ingestion of noxious chemicals	
		Damage to the appliance and adjacent objects due to corrosion by acid	
12.	Do not use insecticides, solvents or aggressive detergents to clean the appliance	Damage to plastic and painted parts and assemblies	

## TECHNICAL CHARACTERISTICS

For the technical specifications, refer to the nameplate (the nameplate is located on the right side of the water heater).

PRODUCT INFORMATION			
Power	3.5kW	3.5-4.1kW	5.5-6.5KW
Voltage	220	220-240	220-240
Phases	Mono	Mono	Mono
Installation	Over sink		
Construction	Open Outlet		
Model	Refer to name plate		
Frequency	50/60 Hz	50/60 Hz	50/60 Hz
Electric current	15.9 A	17.1 A	27.1 A
Water Protection	IP25		
Pipe Connection	1/2" BSP		
Minimum Water Pressure	20 kPa (0.2 bar)		
Qelec (kwh)	2.119	2.119	2.119
Load Profile	XXS	XXS	XXS
Lwa (dB)	15 dB		
$\eta_{wh}$	40%		
Rated Volume (l)	0,35 l	0,35 l	0,35 l
Weight	1,350 g	1,350 g	1,350 g
Dimensions	183 x 290 x 113 mm		

**The product should be connected only to a supply with the relevant system impedance no more than 0.237 ohm.**

**Restrictions to connection may be imposed by the supply authority on the use of equipment in the actual relevant system impedance at the interface point on the user's premise exceeds 0.237 ohm.**

**This appliance is conforming with the international electrical safety standards IEC 60335-1 and IEC 60335-2-35. When present, The CE marking of the appliances attests its conformity to the following EC Directives, of which it satisfies the essential requisites:**

- **LVD Low Voltage Directive: EN 60335-1, EN 60335-2-35, EN 60529, EN 62233, EN 50106.**
- **EMC Electro-Magnetic Compatibility: EN 55014-1, EN 55014-2, EN 61000-3-2, EN 61000-3-3, EN 61000-3-11 and EN 61000-3-12.**
- **ERP Energy related Products: Eu812, Eu814, EN50193-1-2013**

## Installation Instructions:


### THE GUARANTEE IS SUBJECT TO CORRECT INSTALLATION.

The instant water heater is a novel appliance designed to supply hot water instantly while conserving energy. When the pressure switch is on, then the heating element heats the flowing water.

## General information

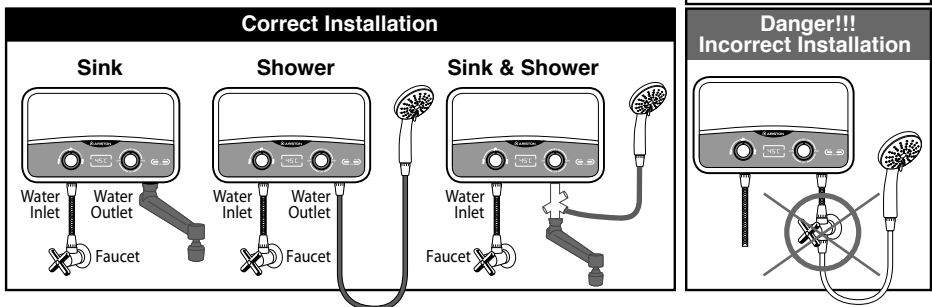
1. The appliance must be installed and commissioned by a qualified technician in accordance with established regulations and local health and safety regulations.
2. It is recommended that a residual current device (ELCB) will be incorporated in the circuit.
3. Installation of water pipeline must be completed prior to the installation of the heater and must be checked to assure that there are no water leaks.
4. This appliance requires water pressure of minimum 20 kPa (0.2 bar).
5. **WARNING!** The outlet (with red ring) of the product acts as a vent and must not be connected to anything other than the hose and showerhead supplied.
6. Without supervision the use of the appliance by young children or infirm person is forbidden. Playing with the unit by young children is forbidden.

## Installation of sink & shower unit 3.5 kW - 6.5 kW

1. The shower unit should be installed on the wall.
2. Remove cover in order to connect the electric cable to the terminal block inside the unit. (unscrew 2 screws)
3. The unit should have a separate electric cable in the switch board (see table 2)
4. Connect the appliance to the water network and check if there are no leaks as soon as the unit is connected. Use the hoses supplied with the appliance, do not re-use old hoses
5. After connecting the water inlet to the unit, connect the electric cable to the designed terminal blocks. The appliance must be earthed and the earth cable (show with a letter in the drawing) is fixed to the terminal marked by the symbol .

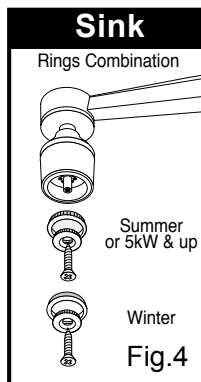
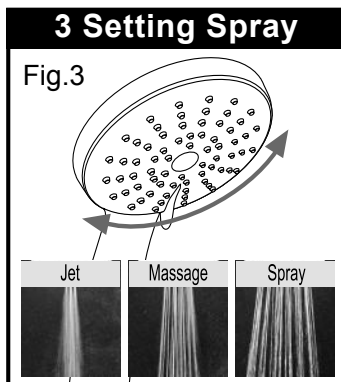
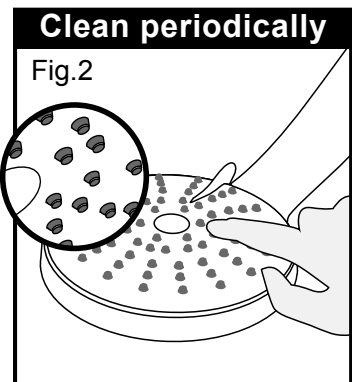
### **WARNING! The appliance must be grounded**

6. The unit must be connected to the electric supply by a 2-pole switch
7. Before performing any operations, disconnect the appliance from the electricity mains using the external switch then connect the power to cable to the appliance.
8. Connect the electric cable with the designated clamp.
9. Return the cover (2 screws)



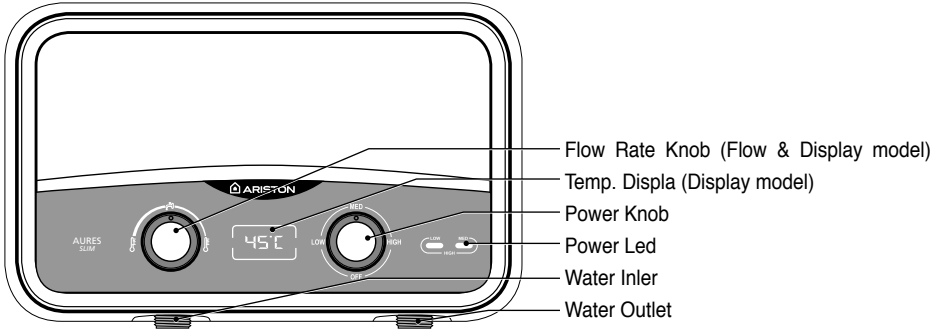
## For effective use

1. Turn the water faucet (before inlet pipe) slowly until the lamps in the appliance switch "ON". Wait 15-20 seconds until hot water starts to flow. For colder water, turn the faucet increasing the water inflow gradually until you receive the desired water temperature. For hotter water, turn the faucet decreasing the water inflow.
2. Heating setting:
  - OFF - Power is off
  - Low - Only the 1st Heating element switches on (left light on)
  - Med - Only the 2nd heating element switches on (Right light on)
  - High - 1st and 2nd heating elements switch on, working together (both lights on)
3. In AURES SLIM FLOW model, the user can manage the temperature selecting Heating knob and regulating the water flow through water flow knob. The water flow knob allows to regulate the water flow reaching the desired water temperature. Turning left the water flow knob, the water flow increases and temperature decreases. Turning right the water flow knob, the water flow decreases and temperature increases. In AURES SLIM DISPLAY, in addition to AURES SLIM FLOW, the user will see visualized on the product the outlet water temperature
4. The spray outlet should be cleaned periodically by unscrewing it from the showerhead and clean thoroughly. (Fig.2, Fig.4)
5. In order to achieve maximum efficiency from the unit please grip the showerhead and twist it in either direction to increased or decreased flow - 3 positions (Fig.3).  
For sink unit - Install open rings in summer and blind rings in winter (inner ring should remain always open) (Fig.4).
6. The unit operates automatically by opening the water faucet and shut off when closing the water supply



### This product conforms to Directive WEEE 2012/19/EU.

The symbol of the crossed waste paper basket on the appliance indicates that at the end of its working life the product should be disposed of separately from normal domestic household rubbish, it must be disposed of at a waste disposal center with dedicated facilities for electric and electronic appliances or returned to the retailer when a new replacement product is purchased. The user is responsible for the disposal of the product at the end of its life at an appropriate waste disposal center. The waste disposal center (which using special treatment and recycling processes effectively dismantles and disposes of the appliance) helps to protect the environment by recycling the material from which the product is made. For further information about waste disposal systems visit your local waste disposal center or the retailer from which the product was purchased.



Feature	SLIM	SLIM FLOW	SLIM DISPLAY
Water Inlet	X	X	X
Water Outlet	X	X	X
Power LED	X	X	X
Power Knob	X	X	X
Flow rate Knob		X	X
Temperature Display			X

Unit Dimensions: Height 183mm Width 290mm Depth 113 mm

Table 2

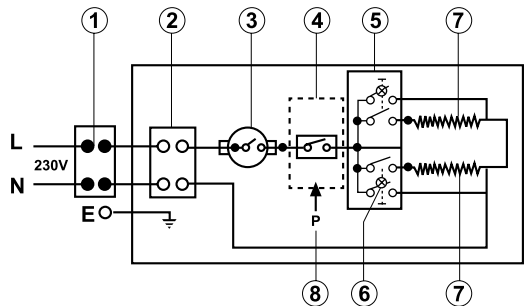
Power	kW Loaded			Heating Setting	Recommended Cable Size	Recommended Fuse Rating
	220V	230V	240V			
3.5kW	3.5	--	--	1.5+2.0 kW	1.5 mm <sup>2</sup>	16 A
3.5kW	3.5	--	4.1	1.5+2.0 kW	2.5 mm <sup>2</sup>	25 A
5.5kW	5.5	--	6.5	2.2+3.3 kW	4 mm <sup>2</sup>	32 A

• Operating water pressure 20-800 kPa (0.2-8 bar) • Water pressure operating power switch  
 • Standard 1/2"Ø compression inlet connection • Top-left and right cable entry • Bottom-left water entry

## INSTALLATION

### Up to 3.5 kW (One Phase)

1. Multi-pole switch
2. Terminal block
3. Thermostat
4. Microswitch
5. Switches
6. LED Light
7. Heating elements
8. Pressure switch



## Troubleshooting

SYMPTOM	POSSIBLE CAUSE	SOLUTION
Water not hot enough	<p>Too much water flowing through the heater</p> <p>Reduction In the ambient temperature</p> <p>Water Pressure below of 100 kPa</p> <p>Electrical Malfunction</p>	<p>Reduce the flow rate of the water via the outlet tap.</p> <p>Switch to higher temperature setting.</p> <p>Check if the mains stop valve is fully open and that there are no other restriction in the supply line.</p> <p>Have the Heater unit checked by a qualified electrician or contact your local authorised distributor.</p>
Water too hot	<p>Not enough Water flowing through the heater</p> <p>Increase in the ambient temperature</p>	<p>Increase the flow rate via the outlet tap</p> <p>Switch to lower temperature setting</p>
Heater switch Off during use	<p>Interruption of mains electrical supply</p> <p>ELSD trip, possible earth leakage</p>	<p>Check incoming power supply, MCB, switches and supply cabling. Check earth leakage and reset ELSD</p> <p>If problem persists, call your local authorised distributor for assistance.</p>
Water ceases to flow	<p>Blockage of spray head, twisted or blocked flexible shower hose.</p> <p>No water supply.</p>	<p>Clean or replace spray head, check for free passage of water through hose. Replace as necessary.</p> <p>Check water supply, stop valve Open? and no blockage.</p>
Water temperature varies from hot to cold during use	<p>Water pressure has dropped below min. level.</p>	<p>Increase hot water supply,</p>
No hot water despite fully open hot water faucet	<p>No electrical power</p> <p>The activation flow rate needed to turn on the heating element has not been reached.</p>	<p>Check the circuit breaker and check voltage at the wiring block.</p> <p>Clean filter screen</p> <ul style="list-style-type: none"> <li>• Turn circuit breaker off</li> <li>• Open hot valve to release pressure from the unit.</li> <li>• Turn circuit breaker on.</li> </ul>



# ГАРАНТИЙНЫЙ ТАЛОН

## ЭЛЕКТРИЧЕСКИЕ ВОДОНАГРЕВАТЕЛИ

Просим Вас хранить талон в течение всего гарантийного срока. При покупке изделия требуйте заполнения гарантийного талона. Просим Вас осмотреть водонагреватель и проверить комплектность до заполнения гарантийного талона. Претензии по механическим повреждениям внешней поверхности и некомплектности изделия после продажи не принимаются. Для гарантийного ремонта предъявляйте гарантийный талон вместе с чеком, где указана дата покупки. Без предъявления данного талона, его неправильном заполнении или при отсутствии печати торговой организации претензии к качеству не принимаются и ремонт не производится.

Модель \_\_\_\_\_

Код модели \_\_\_\_\_

Серийный номер \_\_\_\_\_

Торговая организация \_\_\_\_\_  
(наименование, место нахождения и печать предприятия-продавца)

Проверил и продал \_\_\_\_\_  
(ФИО, подпись продавца)

Дата продажи « \_\_\_\_\_ » \_\_\_\_\_ 20\_\_ года

С условиями гарантии согласен \_\_\_\_\_  
(ФИО, подпись покупателя)

### 1. Гарантийный срок

На перечисленные ниже составные части отдельных серий:

- Водонагреватели серии AURES - **2 года**.

### 2. Условия гарантийного обслуживания

Данный гарантийный талон при соблюдении предусмотренных условий дает право на бесплатный гарантийный ремонт водонагревателя и его составных частей. Гарантийный ремонт осуществляется по месту установки водонагревателя силами авторизованного сервисного центра, информация о котором находится в приложении к данному талону. При ее отсутствии или недостоверности, а так же нарушении сервисным центром условий гарантии, Вы можете обратиться в торговую организацию или в представительство компании-производителя.

Указанные в п. 1 гарантийные сроки исчисляются со дня продажи изделия.

Дата продажи изделия указывается в гарантийном талоне и чеке покупки.

При отсутствии в талоне или чеке даты продажи, гарантийный срок исчисляется с момента изготовления изделия. Дата изготовления и технические характеристики водонагревателя указаны на идентификационной табличке, размещенной на корпусе изделия.

**Гарантийные сроки в отношении водонагревателей и их составных частей, переданных потребителю взамен водонагревателей и их составных частей ненадлежащего качества, истекают в последний день гарантийного срока, установленного на замененный водонагреватель или составную часть.**

### 3. Срок службы изделия

При соблюдении правил установки, эксплуатации и технического обслуживания срок службы составляет не менее 2 лет.

На перечисленные ниже отдельные серии срок службы составляет:

- Водонагреватели серии AURES - **2 года**.

### 4. Досрочное прекращение гарантийного срока

Гарантийный срок прекращается до истечения указанного в п. 1 периода времени, при наличии одного или нескольких обстоятельств:

- Нарушение потребителем правил установки, хранения, транспортировки и эксплуатации изделия;
- Самостоятельный ремонт и замена запасных частей, нарушающие работоспособность изделия;
- Нанесение изделию механических повреждений;
- Несоответствие параметров сетей электро- или водоснабжения существующим нормам и стандартам;
- Использование изделия не по назначению;
- Отсутствие (или сильное повреждение) на корпусе изделия идентификационной таблички с серийным номером;
- Отсутствие на входе в водонагреватель редуктора для понижения давления при давлении водопроводной сети выше 5 бар;
- Наличие электрического потенциала на водосодержащей емкости водонагреват

### 5. Дополнительная информация

Для установки и регулярного сервисного обслуживания приобретенного оборудования мы рекомендуем воспользоваться услугами наших сервисных центров. Через сеть наших сервисных центров Вы можете приобрести запасные части и комплектующие изделия к водонагревателю, а также получить необходимую техническую консультацию.

Комплект поставки:

- Водонагреватель;
- Инструкция по установке и эксплуатации;
- Гарантийный талон;
- Заводская упаковка;

**Перед установкой и использованием изделия внимательно изучите прилагающуюся инструкцию.**

**Производитель:** Ariston Thermo Vietnam Ltd., TS3 Str., Tien Son IZ, Dong Nguyen ward, Tu Son town, Bac Ninh province, Vietnam, Вьетнам

**Импортер, уполномоченная организация:** ООО «Аристон Термо Русь», Россия, 188676, Ленинградская область, Всеволожский район, г. Всеволожск, Промышленная зона производственная зона города Всеволожска, ул. Индустриальная, д. № 9, лит. А.

**Найдите ближайший к Вам сервисный центр:**

[www.ariston.com](http://www.ariston.com)

[service.ru@aristonthermo.com](mailto:service.ru@aristonthermo.com)

+7 (495) 777-33-00



**ARISTON**

## ОТРЫВНОЙ ТАЛОН 1

Модель	
Серийный номер	
Дата продажи	
Фирма-продавец	

Печать  
продавца

*Печать продавца*



**ARISTON**

## ОТРЫВНОЙ ТАЛОН 2

Модель	
Серийный номер	
Дата продажи	
Фирма-продавец	

Печать  
продавца

*Печать продавца*



**ARISTON**

## ОТРЫВНОЙ ТАЛОН 3

Модель	
Серийный номер	
Дата продажи	
Фирма-продавец	

Печать  
продавца

*Печать продавца*



**ARISTON**

## ОТРЫВНОЙ ТАЛОН 4

Модель	
Серийный номер	
Дата продажи	
Фирма-продавец	

Печать  
продавца

*Печать продавца*



Дата приема	
Дата выдачи	
Дефект	
Выполненная работа	
Мастер (Ф.И.О.)	

Печать  
сервисного центра

Дата приема	
Дата выдачи	
Дефект	
Выполненная работа	
Мастер (Ф.И.О.)	

Печать  
сервисного центра

Дата приема	
Дата выдачи	
Дефект	
Выполненная работа	
Мастер (Ф.И.О.)	




Печать  
сервисного центра

Дата приема	
Дата выдачи	
Дефект	
Выполненная работа	
Мастер (Ф.И.О.)	

Печать  
сервисного центра

## ОБЩИЕ УКАЗАНИЯ ПО ТЕХНИКЕ БЕЗОПАСНОСТИ ОСТОРОЖНО!

1. Настоящее руководство является неотъемлемой частью изделия. Сохраните его для справки и передайте следующему собственнику при смене владельца.
2. Внимательно ознакомьтесь с инструкциями и предупреждениями в настоящем руководстве. В них содержится важная информация по безопасному монтажу, эксплуатации и техническому обслуживанию.
3. Прибор должен устанавливаться и вводить в эксплуатацию квалифицированный специалист в соответствии с действующими нормами и правилами охраны здоровья и техники безопасности. Перед вскрытием клеммной колодки необходимо отключить все силовые цепи.
4. **НЕ пользуйтесь** прибором в целях, отличных от его прямого назначения. Изготовитель не несет ответственности за повреждения, связанные с неправильным или неприемлемым использованием или несоблюдением инструкций, приведенных в настоящем руководстве.
5. Неправильная установка может привести к повреждению имущества и травмам людей и животных. Изготовитель не несет ответственности за последствия.
6. **НЕ оставляйте** упаковочные материалы (скобы, пластиковые пакеты, пенопласт и пр.) в зоне досягаемости детей – они могут получить серьезную травму.
7. **Детям не младше 3 лет и лицам с ограниченными физическими, сенсорными или умственными способностями, а также лицам без опыта пользования или не имеющим необходимых знаний пользоваться прибором разрешается только под надзором или после их надлежащего обучения правилам безопасной эксплуатации прибора с разъяснением связанных с этим опасностей. Дети без присмотра не могут выполнять очистку и техническое обслуживание прибора.**
8. Ремонт, техническое обслуживание, подключение к водопроводу и электрической сети должен выполнять только квалифицированный специалист с применением оригинальных запасных частей. Несоблюдение этого приведет к нарушению системы безопасности прибора, при этом изготовитель снимает с себя всякую ответственность.
9. Температура горячей воды регулируется термостатом, который также является устройством безопасности, предотвращающим перегрев воды.
10. Подключение к электрической сети следует выполнять согласно инструкции в настоящем руководстве.
11. Если прибор оснащен шнуром питания, замену такого шнура может выполнять только уполномоченный сервисный центр или профессиональный техник.
12. На период простоя сливайте воду из прибора, это особенно важно в областях, где температура окружающего воздуха может падать ниже нуля.
13. **Не оставляйте** горючие материалы в контакте или в непосредственной близости с прибором.
14. **Запрещено** касаться прибора босиком или если кожа частично влажная.
15. Перед тем, как использовать прибор и в ходе работ по плановому и внеплановому ремонту следует наполнить водой бак водонагревателя и еще раз полностью спустить воду с тем, чтобы избавиться от остатков грязи.
16. Не находится под прибором и не размещать какой либо предмет, который может, например, быть поврежден утечкой воды.

Символ	Значение
	Несоблюдение этого предупреждения может привести к травме, даже с летальным исходом в определенных обстоятельствах
	Несоблюдение этого предупреждения может привести к повреждению имущества или травмам людей и животных
	Соблюдайте общие и особые инструкции по технике безопасности при обращении с прибором.

## ОБЩИЕ ПРАВИЛА ТЕХНИКИ БЕЗОПАСНОСТИ

№	Предупреждение	Риск	Символ
1.	Не вскрывать прибор и не вынимать его из корпуса	Удар электрическим током ввиду наличия компонентов под напряжением. Травмирование – ожоги о горячие поверхности и порезы об острые края.	
2.	Не запускать и не отключать прибор, вставляя/вытягивая вилку в/из розетки	Удар электрическим током ввиду повреждения шнура питания, вилки или розетки.	
3.	Не повреждать шнур питания	Удар электрическим током ввиду прикосновения к оголенным проводам под напряжением.	
4.	Не оставлять предметы на приборе	Травмирование ввиду падения предметов с прибора в результате вибрации.	
		Повреждение прибора или другого имущества ввиду падения предметов с прибора в результате вибрации.	
5.	Не влезать на прибор	Травмирование ввиду падения с прибора.	
		Повреждение прибора или другого имущества ввиду отсоединения прибора от его креплений.	
6.	Не чистить прибор без предварительного отключения, вынув вилку из розетки или с помощью выключателя	Удар электрическим током ввиду наличия компонентов под напряжением.	
7.	Установить прибор на прочной стене, не подверженной вибрации	Опасность падения прибора со стены ввиду конструкционного разрушения или шумная работа.	
8.	Выполнять подключение к электрической сети с помощью кабелей достаточного поперечного сечения	Опасность пожара ввиду перегрева проводов недостаточного размера.	
9.	Восстановить все функции безопасности и управления после проведения работ с прибором и убедиться в исправности его работы после возврата в эксплуатацию	Повреждение или блокирование прибора ввиду неправильных настроек управления.	
10.	Перед техническим обслуживанием слить горячую воду из прибора с помощью спускных кранов	Опасность ожогов	
11.	Очистить систему от накали как указано в «паспорте безопасности» изделия; при этом проветрить помещение, пользоваться защитной одеждой, не смешивать разные продукты и защитить сам прибор и расположенные поблизости объекты	Травма ввиду попадания на кожу и в глаза, вдыхание или проглатывания токсических химических веществ.	
		Повреждение прибора и расположенных поблизости объектов ввиду коррозии под воздействием кислоты.	
12.	Не пользоваться инсектицидами, растворителями или агрессивными чистящими веществами для очистки прибора	Повреждение пластиковых и окрашенных частей и узлов.	

## ТЕХНИЧЕСКИЕ ХАРАКТЕРИСТИКИ

Технические характеристики см. на шильдике (который расположен справа на водонагревателе).

ИНФОРМАЦИЯ ОБ ИЗДЕЛИИ			
Мощность	3.5кВт	3.5-4.1кВт	5.5-6.5кВт
Напряжение	220	220-240	220-240
Количество фаз	Mono	Mono	Mono
Монтаж	Над раковиной/Около душа		
Конструкция	Открытый выход		
Модель	См. паспортную табличку		
Частота	50/60 Hz	50/60 Hz	50/60 Hz
Сила тока	15.9 A	17.1 A	27.1 A
Защита вод	IP25		
Трубное соединение	1/2" BSP		
Минимальное давление воды	20 kPa (0.2 бара)		
Qэлк (кВтч)	2.119	2.119	2.119
Схема нагрузки	XXS	XXS	XXS
Lwa (дБ)	15 дБ		
ηwh	40%		
Номинальный объем (л)	0,35 л	0,35 л	0,35 л
Масса	1,350 г	1,350 г	1,350 г
Габаритные размеры	183 x 290 x113 mm		

Приведенные в таблице данные потребления электропитания и другая информация, указанная в паспорте изделия (Приложение А к настоящему руководству), определены в соответствии с Директивой ЕС 812/2013 и 814/2013.

Изделия, не имеющие соответствующих отметок на табличках и в паспортах согласно нормам 812/2013, не предназначены для использования в пакетных установках водонагревателей с солнечными батареями.

Изделия с регулирующей ручкой оснащаются термостатом, установленным в положение «готов к использованию» как указано в паспорте (Приложение А), согласно которому изготовитель определяет соответствующий класс энергоэффективности.

**Изделие следует подключать к источнику питания с соответствующим сопротивлением системы не более 0,237 Ом.**

**Энергоснабжающая компания может устанавливать ограничения, если фактическое сопротивление системы в точке подключения потребителя превышает 0,237 Ом.**

**Данный прибор соответствует международным стандартам на электрооборудование IEC 60335-1 и IEC 60335-2-35. При наличии маркировки SE прибор соответствует основным требованиям следующих Директив ЕС:**

- Директива по низковольтному оборудованию: EN 60335-1, EN 60335-2-35, EN 60529, EN 62233, EN 50106.

- Электромагнитная совместимость (ЭМС): EN 55014-1, EN 55014-2, EN 61000-3-2, EN 61000-3-3, EN 61000-3-11 и EN 61000-3-12.

- Изделия, потребляющие энергию: Eu812, Eu814, EN50193-1-2013

## Инструкции по установке


### ГАРАНТИЙНЫЕ ОБЯЗАТЕЛЬСТВА ДЕЙСТВУЮТ ПРИ УСЛОВИИ ПРАВИЛЬНОЙ УСТАНОВКИ.

Проточный водонагреватель является инновационным прибором, разработанным в целях моментального подогрева воды при одновременной экономии электроэнергии. Нагревательный элемент греет проточную воду только при включенном реле давления.

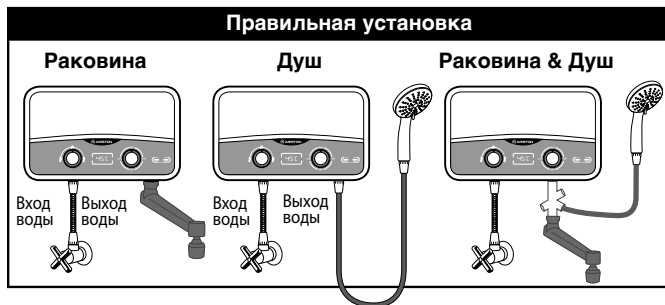
### Общая информация

1. Прибор предназначен для нагрева воды в проточном режиме. Температура воды на выходе из прибора зависит от температуры воды на входе, расхода воды и мощности нагревательного элемента
2. Рекомендуется включить в электрическую цепь устройство защитного отключения.
3. Гидравлические подключения должны быть закончены перед началом электрических работ.
4. Прибор работает при давлении воды не ниже 20 кПа (0.2 бара).
5. **ВНИМАНИЕ!** К выходному патрубку водонагревателя (с красным кольцом) не допускается подключать ничего кроме шланга и насадки для душа входящих в комплект поставок
6. Прибором запрещено пользоваться детям и физически слабым людям без надзора. Не позволяйте детям играть с прибором.

### Монтаж водонагревателя мощностью 3.5 кВт – 5.5 кВт

1. Водонагреватель необходимо устанавливать на стене в вертикальном положении патрубками вниз.
2. Подсоедините прибор к сети водоснабжения. Водяная запорная арматура (не входит в комплект поставки) устанавливается на входе в прибор. Запрещено устанавливать любую запорную арматуру после выходящего патрубка. Установите на выходящий патрубок насадку для выхода воды, которая входит в комплект изделия. Используйте шланги, входящие в комплект поставки. Не устанавливайте старые шланги.
3. Заполните полностью прибор водой и проверьте отсутствие утечек.
4. К прибору необходимо подвести отдельный электрический кабель в распределительной коробке (см. таблицу 2. «Рекомендуемое сечение провода»).
5. Прибор необходимо подсоединить к источнику питания через 2-полюсный выключатель. При проведении работ по подключению к электрической сети выключатель должен быть разомкнут.
6. Снимите крышку, чтобы подсоединить электрический провод к клеммной колодке внутри прибора .
7. **ВНИМАНИЕ! ПРИБОР ДОЛЖЕН БЫТЬ ЗАЗЕМЛЕН.** Провод заземления (обозначенный буквой на схеме) подсоединяется к клемме, обозначенной символом
8. Установите на место крышку (4 винта).
9. Перед подачей электропитания на прибор убедитесь, что он заполнен водой.

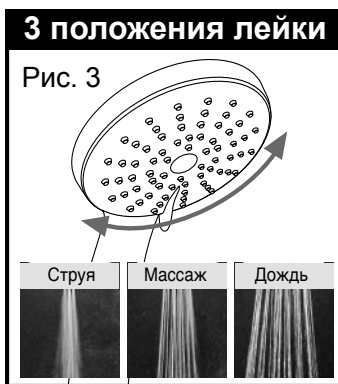
- Менять местами вход и выход воды
- Устанавливать и эксплуатировать прибор на горизонтальной плоскости, а также в вертикальной плоскости патрубками вверх
- Устанавливать любую запорную арматуру после выходного патрубка прибора
- Подключать к электропитанию прибор, не заполненный водой





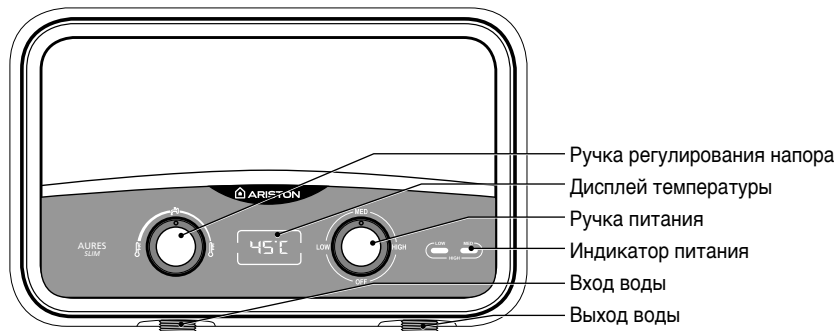
## Советы по эффективной работе

1. Медленно поверните кран (на входе холодной воды) до тех пор, пока лампы на приборе не включатся. Подождите 15-20 секунд, пока горячая вода не начнет течь. Для более холодной воды поворачивайте кран, постепенно увеличивая приток воды, пока не получите желаемую температуру воды. Для более горячей воды поворачивайте кран, уменьшая приток воды.
2. Настройки нагрева:
  - OFF - питание отключено
  - Low - включен только первый нагревательный элемент (горит левый индикатор)
  - Med - включен только второй нагревательный элемент (горит правый индикатор)
  - High - включены оба нагревательных элемента одновременно (горят оба индикатора)
3. В модели ARES SLIM FLOW пользователь может менять температуру при помощи регулировки мощности и регулировки напора воды. Регулятор напора воды позволяет менять напор воды для достижения необходимой температуры. При поворачивании ручки регулятора напора воды влево, напор увеличивается и температура воды снижается. При поворачивании ручки регулятора напора воды вправо, напор уменьшается и температура воды повышается. В модели AuresSlim Display дополнительно можно видеть температуру выходящей воды на дисплее.
4. Лейку необходимо регулярно очищать, открутив ее с душевой насадки и тщательно очистив отверстия. (Рис. 2, Рис. 4).
5. Чтобы прибор работал максимально эффективно, возьмите душевую насадку и поверните ее в любом направлении, чтобы увеличить или уменьшить напор - 3 положения (Рис. 3).  
Насадка для раковины - устанавливайте открытые кольца летом и глухие кольца зимой (внутреннее кольцо в любом случае остается открытым) (Рис. 4).
6. Прибор запускается автоматически при открывании водопроводного крана, установленного на ВХОДЕ в прибор, и отключается с прекращением потока воды.



### ДАННОЕ ИЗДЕЛИЕ СООТВЕТСТВУЕТ ДИРЕКТИВЕ EU 2002/96/ЕС

Символ «перечеркнутая корзина» на изделии означает, что по окончании срока службы изделие нельзя выбрасывать с обычным мусором, оно должно быть сдано в центр раздельной утилизации электрических и электронных приборов или в магазин в случае приобретения нового аналогичного изделия. Пользователь несет ответственность за сдачу изделия по окончании его срока службы в надлежащую организацию по утилизации. Надлежащий раздельный сбор мусора для последующей отправки старого изделия на экологически совместимую переработку и утилизацию способствует охране экологии и здоровья, а также позволяет рекуперировать материалы, из которых состоит изделие. За более подробной информацией касательно имеющихся систем утилизации обращайтесь в местную службу утилизации или в магазин, в котором было приобретено изделие



характеристика	SLIM	SLIM FLOW	SLIM DISPLAY
Вход воды	X	X	X
Выход воды	X	X	X
Индикатор питания	X	X	X
Ручка питания	X	X	X
Ручка регулирования напора		X	X
Дисплей температуры			X

Размеры прибора: Высота 183 мм Ширина 290 мм Глубина 113 мм

Таблица 2

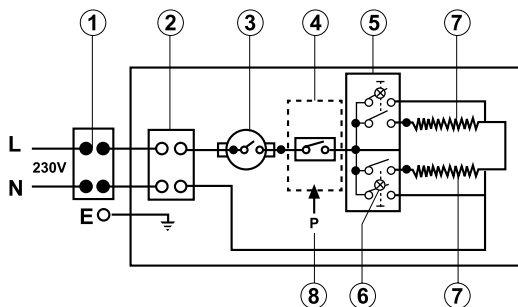
Мощность	кВт под нагрузкой			Настройка нагрева	Рекомендуемый размер провода	Рекомендуемый предохранитель
	220В	230В	240В			
3.5кВт	3.5	--	--	1.5+2.0 кВт	1.5 мм <sup>2</sup>	16 А
3.5кВт	3.5	--	4.1	1.5+2.0 кВт	2.5 мм <sup>2</sup>	25 А
5.5кВт	5.5	--	6.5	2.2+3.3 кВт	4 мм <sup>2</sup>	32 А

• Рабочее давление воды 20-800 кПа (0.2-8 бар) • Выключение питания давления воды  
 • Стандартное резьбовое соединение Ø1/2" на входе • Ввод провода сверху слева и справа • Вход воды снизу слева

## МОНТАЖ

### До 3.5 кВт (одна фаза)

1. Многополюсный выключатель
2. Клеммная колодка
3. Термостат
4. Микропереключатель
5. Выключатели
6. Светодиодный индикатор
7. Нагревательные элементы
8. Реле давления






## Поиск и устранение неисправностей

ПРОБЛЕМА	ВОЗМОЖНАЯ ПРИЧИНА	РЕШЕНИЕ
Вода недостаточно горячая	Слишком сильный поток воды через нагреватель Снижение окружающей температуры  Давление воды ниже 100 кПа  Неисправность электрической системы	Снизьте напор воды, прикрыв кран.  Переключитесь на более высокую настройку температуры.  Проверьте, полностью ли открыт магистральный запорный кран, и нет ли других препятствий в линии.  Сдайте нагреватель на проверку квалифицированному электрику или обратитесь к местному авторизованному дистрибьютору.
Вода слишком горячая	Недостаточный поток воды через нагреватель  Повышение окружающей температуры	Увеличьте напор воды, открыв кран.  Переключитесь на более низкую настройку температуры.
Нагреватель отключается в процессе использования	Отключение электричества в сети  Срабатывание аварийной защиты, возможно, из-за утечки на землю	Проверьте подачу электропитания, автоматический выключатель, переключатели и питающий провод. Проверьте утечку на землю и сбросьте аварийную защиту.  Если проблема сохраняется, обратитесь к авторизованному дистрибьютору за помощью.
Вода перестает течь	Лейка душа закупорена или перекошена, закупорен гибкий шланг душа.  Нет подачи воды.	Очистите или замените лейку, проверьте свободно ли вода проходит по шлангу. Замените при необходимости.  Проверьте, есть ли вода в системе, открыт ли запорный кран, и нет ли закупорок.
Температура воды меняется с горячей на холодную во время использования	Давление воды упало ниже минимального уровня.	Увеличьте подачу горячей воды.
Нет горячей воды, несмотря на полностью открытый кран	Нет электричества  Не достигнут необходимый для включения нагревательного элемента напор воды.	Проверьте положение автоматического выключателя и напряжение в сети.  Очистите сетчатый фильтр <ul style="list-style-type: none"> <li>• Выключите автоматический выключатель.</li> <li>• Откройте кран горячей воды, чтобы сбросить давление в приборе.</li> <li>• Включите автоматический выключатель.</li> </ul>

**Для получения информации о документах (копии документов), подтверждающих соответствие товара требованиям технических регламентов, обратитесь к продавцу.**

## ЗАГАЛЬНІ ІНСТРУКЦІЇ З ТЕХНІКИ БЕЗПЕКИ ОБЕРЕЖНО!

1. Ця брошура є невід'ємною частиною виробу. Збережіть її для довідки й передайте будь-якому наступному власнику.
2. Уважно прочитайте інструкції й попередження в цій брошурі, бо вони містять важливу інформацію щодо безпечного встановлення, експлуатації й обслуговування.
3. Прилад має встановлювати й вводити в експлуатацію кваліфікований фахівець відповідно до діючих норм і правил охорони здоров'я й техніки безпеки. Перш ніж розкривати клемну колодку необхідно вимкнути всі силові кола.
4. **НЕ користуйтеся** приладом в цілях, що відрізняються від вказаних. Виробник не несе відповідальності за ушкодження, пов'язані з неправильним або неприйнятним використанням або недотриманням інструкцій, приведених в цій брошурі.
5. Неправильне встановлення може привести до ушкодження майна і травм людей і тварин. Виробник не несе відповідальності за такі наслідки.
6. **НЕ залишайте** пакувальні матеріали (скоби, пластикові пакети, пінопласт, тощо) в межах досяжності дітей, бо це може спричинити важкі травми.
7. **Цей прилад може використовуватися дітьми у віці від 3 років і старше та особами з обмеженими фізичними, сенсорними або розумовими здібностями, або при відсутності досвіду й знань, тільки якщо вони перебувають під наглядом або проінструктовані з питань безпечного використання приладу й розуміють ризик, якому піддаються. НЕ дозволяйте дітям гратись із приладом. Діти без нагляду не можуть очищувати й проводити технічне обслуговування приладу.**
8. Ремонт, технічне обслуговування, підключення до водопроводу й електричної мережі має виконувати тільки кваліфікований фахівець із застосуванням оригінальних запасних частин. Нехтування вказаними вище інструкціями може стати причиною порушення системи безпеки приладу, при цьому виробник відмовляється від будь-якої відповідальності.
9. Температура гарячої води регулюється термостатом, який одночасно є пристроєм безпеки, що запобігає небезпечному перегріванню.
10. Приєднання до електричної мережі необхідно виконувати за інструкціями в цій брошурі.
11. Якщо прилад обладнаний шнуром живлення, заміну такого шнура може виконувати тільки уповноважений сервісний центр або професійний технік.
12. Якщо ви не користуєтесь приладом, зливайте з нього воду, це особливо важливо в областях, де температура навколишнього повітря може падати нижче нуля.
13. Не залишайте будь-які займісті матеріали в контакт з приладом або поруч із ним.
14. **Є заборонено** торкатися приладу мокрими частинами тіла або будучи босоніж
15. Перед використанням приладу і після звичайного або позачергового технічного обслуговування рекомендується заповнити водою резервуар для води і виконати наступну операцію повного зливу для видалення залишкових домішок.
16. Не дозволяється ставити під пристроєм або поруч з ним будь-які предмети, які можуть постраждати в результаті можливого витоку води.

Позначка	Значення
	Нехтування цим попередженням може призвести до травми, за певних обставин навіть з летальним результатом
	Нехтування цим попередженням може призвести до ушкодження майна або травм людей і тварин
	Дотримуйтесь загальних і особливих інструкцій щодо техніки безпеки при поводженні з приладом.

## ЗАГАЛЬНІ ПРАВИЛА ТЕХНІКИ БЕЗПЕКИ

№	Попередження	Ризик	Позначка
1.	Не розкривати прилад і не виймати його з корпусу	Ураження електричним струмом від компонентів під напругою. Травмування – опіки від гарячих поверхонь і порізи о гострі краї.	
2.	Не запускати й не виймати прилад вставленням/витягуванням вилки в розетку/з розетки	Ураження електричним струмом в результаті пошкодження шнура живлення, вилки або розетки.	
3.	Не доводити до пошкодження шнура живлення	Ураження електричним струмом в результаті дотику до оголених дротів під напругою.	
4.	Не залишати предмети на приладі	Травмування в результаті падіння предметів з приладу від вібрації.	
		Ушкодження приладу або іншого майна в результаті падіння предметів з приладу від вібрації.	
5.	Не влізати на прилад	Травмування в результаті падіння з приладу.	
		Ушкодження приладу або іншого майна в результаті від'єднання приладу від його кріплення.	
6.	Не чистити прилад без попереднього вимкнення за допомогою витягування вилки з розетки або перемикачя вимикача	Ураження електричним струмом від компонентів під напругою.	
7.	Встановити прилад на міцній стіні без вібрації	Небезпека падіння приладу із стіни в результаті конструкційного руйнування або шум під час роботи.	
8.	Виконувати приєднання до електричної мережі за допомогою кабелів достатнього перетину	Небезпека пожежі від перегрівання дротів недостатнього розміру.	
9.	Відновити усі функції безпеки й керування після проведення робіт з приладом і переконатися в справності його роботи після повернення в експлуатацію	Ушкодження або блокування приладу зважаючи на неправильні налаштування керування.	
10.	Перед технічним обслуговуванням злити гарячу воду з приладу за допомогою спускових кранів	Небезпека опіків	
11.	Очистити систему від накипу як вказано в «паспорті безпеки» виробу; при цьому провітрити приміщення, користуватися захисним одягом, не змішувати різні продукти і захистити сам прилад і розташовані поблизу об'єкти	Травма від попадання на шкіру і в очі, вдихання або проковтування токсичних хімічних речовин.	
		Пошкодження приладу або об'єктів навколо нього внаслідок корозії, викликані кислотними речовинами.	
12.	Не користуватися інсектицидами, розчинниками або агресивними миючими засобами для очищення приладу	Пошкодження пластикових і фарбованих частин і вузлів.	

## ТЕХНІЧНІ ХАРАКТЕРИСТИКИ

Технічні характеристики див. на паспортній табличці (яка розташована справа на водонагрівачі).

ІНФОРМАЦІЯ ПРО ВИРІБ			
Потужність	3.5кВт	3.5-4.1кВт	5.5-6.5кВт
Напруга	220	220-240	220-240
Кількість фаз	одна	одна	одна
Монтаж	Над раковиною		
Конструкція	Відкритий вихід		
Модель	Див. паспортну табличку		
Частота	50/60 Гц	50/60 Гц	50/60 Гц
Сила струму	15.9 А	17.1 А	27.1 А
Захист вод	IP25		
Трубне з'єднання	1/2" BSP		
Мінімальний тиск води	20 кПа (0,2 бар)		
Денне Споживання Електроенергії Qelec (кВт·год)	2.119	2.119	2.119
Профіль Навантаження	XXS	XXS	XXS
Звукова Потужність Lwa (дБ)	15 (дБ)		
Ефективність Нагрівання $\eta_{wh}$	40%		
Номінальний об'єм (л)	0,35 л	0,35 л	0,35 л
Маса	1,350 г	1,350 г	1,350 г
Габарити	183 x 290 x 113 мм		

Дані про споживання електричної енергії на табличці й інша інформація, наведена в мікрофші виробу (додаток А до цієї брошури), визначені відповідно до Директив ЄС 812/2013 й 814/2013 (Наказу Міністерства Регіонального Розвитку України 100/2019 й Постанови Кабінету Міністрів України 740/2019).

Вироби, які не мають відповідних позначок на табличках і в паспортах, як передбачено Директивою 812/2013 (Наказом 100/2019) не призначені для використання в пакетних установках водонагрівачів з сонячними батареями.

Вироби з ручкою регулювання оснащуються термостатом, який встановлений в положення «готовий до використання» як вказано в паспорті (Додаток А), згідно з яким виробник визначає відповідний клас енергоефективності.

**Виріб слід приєднувати до джерела живлення з відповідним опором системи не більше 0,237 Ом.**

**Енергопостачальна компанія може встановлювати обмеження, якщо фактичний опір системи в точці приєднання споживача перевищує 0,237 Ом.**

**Цей прилад відповідає міжнародним стандартам електричної безпеки IEC 60335-1 й IEC 60335-2-35. За наявності маркування CE прилад відповідає основним вимогам наступних Директив ЄС:**

- Директива з низьковольтного обладнання (LVD): EN 60335-1, EN 60335-2-35, EN 60529, EN 62233, EN 50106.
- Директива з електромагнітної сумісності (EMC): EN 55014-1, EN 55014-2, EN 61000-3-2, EN 61000-3-3, EN 61000-3-11 і EN 61000-3-12.
- Вироби, що споживають енергію: Eu812, Eu814, EN50193 - 1-2013.

## Інструкції з установалення


### ГАРАНТІЙНІ ЗОБОВ'ЯЗАННЯ ДІЮТЬ ЗА УМОВИ ПРАВИЛЬНОГО ВСТАНОВЛЕННЯ.

Проточний водонагрівач є інноваційним приладом, розробленим з метою моментального підігрівання води при одночасній економії електроенергії. Нагрівальний елемент гріє проточну воду тільки при ввімкненому реле тиску.

### Загальна інформація

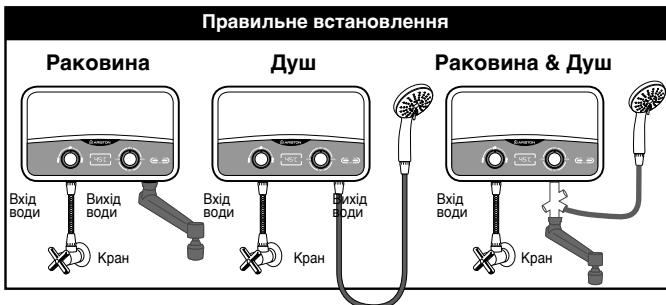
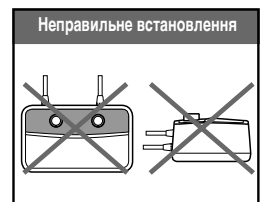
1. Прилад має встановлювати й вводити в експлуатацію кваліфікований фахівець відповідно до діючих норм і правил охорони здоров'я й техніки безпеки.
2. Рекомендується додати до електричного кола пристрій захисного відключення.
3. Монтаж водопровідної труби має бути виконаний до встановлення нагрівача, й її необхідно перевірити на відсутність витоків.
4. Прилад працює, коли тиск води не нижче 20 кПа (0.2 бара).
5. **УВАГА!** Користуйтеся тільки тим приладдям, що входить в комплект постачання. Вихід води має бути завжди відкритим, оскільки на цьому заснований принцип роботи.
6. Приладом заборонено користуватися дітям і фізично слабким людям без нагляду. Не дозволяйте дітям грати з приладом.

### Встановлення насадки для раковини й душу 3.5 кВт – 5.5 кВт

1. Пристрій слід встановлювати на вертикальній стіні.
2. Зніміть кришку, щоб підключити електричний кабель до клемної колодки всередині пристрою. (відкрутіть 2 гвинти)
3. Пристрій повинен мати окремий електричний кабель у розподільному щиті (див. Таблицю 2)
4. Підключіть прилад до водопровідної мережі та перевірте, чи немає течі, одразу як тільки пристрій підключено. Використовуйте шланги, що постачаються з приладом, не використовуйте повторно старі шланги
5. Після підключення входу води до пристрою підключіть електричний кабель до призначених клемних колод. Прилад повинен бути заземлений, а заземлювальний кабель (показано на кресленні буквою «Е») закріплений на клемі, позначеній символом .

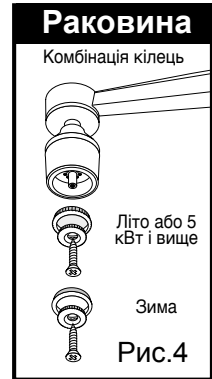
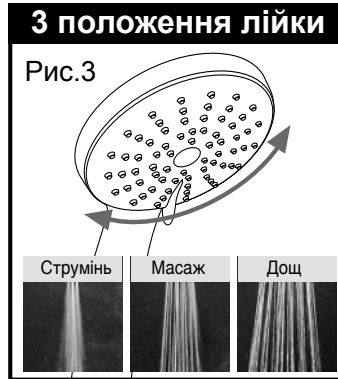
#### УВАГА! Прилад має бути заземлений.

6. Блок повинен бути підключений до електромережі за допомогою 2-полюсного вимикача (для однофазного приладу) або багатополісного вимикача (для багатозфазного приладу)
7. Перед виконанням будь-яких операцій відключіть прилад від електромережі за допомогою зовнішнього вимикача, а потім підключіть кабель живлення до приладу.
8. Підключіть електричний кабель на відповідні клеми.
9. Встановіть на місце кришку (2 гвинти)



## Поради щодо ефективної роботи

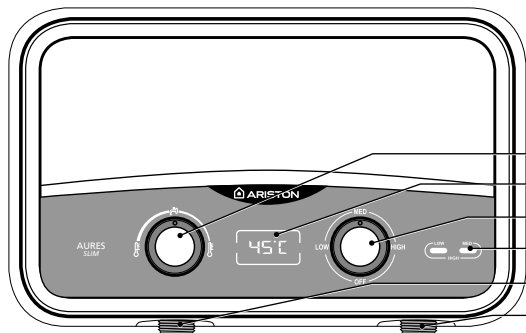
1. Повільно повертайте водопровідний кран (перед вхідною трубою) доки індикаторні лампи в приладі не ввімкнуться. Зачекайте 15-20 секунд, поки не почне надходити гаряча вода. Для холоднішої води повертайте кран, поступово збільшуючи напір води, поки не отримаєте бажану температуру води. Для більш гарячої води повертайте кран зменшуючи напір води.
2. Налаштування нагріву:  
 OFF (Вимк) - живлення вимкнено  
 Low (Низький) - вмикається лише 1-й нагрівальний елемент (горить лівий індикатор)  
 Med (Середній) - вмикається лише 2-й нагрівальний елемент (горить правий індикатор)  
 High (Високий) - вмикаються 1-й та 2-й нагрівальні елементи працюючи разом (горять обидва індикатори)
3. У моделі AURES SLIM FLOW користувач може керувати температурою води на виході нагрівача за допомогою ручки нагріву та регулюючи потік води рукою потоку води. Ручка потоку води дозволяє регулювати потік води для досягнення бажаної температури. Повертаючи ручку потоку вліво, потік води збільшується, а температура води на виході знижується. Повертаючи ручку потоку вправо, потік води зменшується, а температура води на виході зростає. На AURES SLIM DISPLAY, на додаток до AURES SLIM FLOW, користувач побачить на продукті температуру води на виході.
4. Лійку необхідно регулярно очищати. Для цього її треба відкрутити з душової насадки й ретельно очистити отвори (Рис. 2, Рис. 4).
5. Щоб прилад працював максимально ефективно, візьміть душову насадку і поверніть її у будь-якому напрямі, щоб збільшити або зменшити тиск - 3 положення (Рис. 3).  
 Насадка для раковини - встановлюйте відкриті кільця влітку й глухі кільця взимку (внутрішні кільця завжди залишаються відкритими) (Рис. 4).
6. Прилад запускається автоматично при відкриванні водопровідного крану й вимикається з припиненням потоку води.



### ЦЕЙ ВИРІБ ВІДПОВІДАЄ ДИРЕКТИВІ WEEE 2012/19/EU.

Символ перекресленого сміттового кошику на виробі означає, що після закінчення терміну служби виріб не можна викидати разом із звичайними побутовими відходами. Його необхідно здати до організації, що займається утилізацією електричного й електронного обладнання або повернути продавцю при купівлі нового виробу. Користувач відповідає за правильну утилізацію виробу після закінчення терміну його служби (здачу у відповідний центр з переробки відходів). Організації, що займаються збиранням і утилізацією вторинної сировини (і використовують прийнятні способи переміщення, розбирання й сортування відходів), забезпечують захист довкілля завдяки правильній переробці матеріалів виробу. Для отримання додаткової інформації щодо утилізації відходів звертайтеся до організації зі збору вторинної сировини або до продавця виробу.





- Ручка регулювання тиску
- Дисплей температури
- Ручка живлення
- Індикатор живлення
- Вхід води
- Вихід води

Feature	SLIM	SLIM FLOW	SLIM DISPLAY
Water Inlet	X	X	X
Water Outlet	X	X	X
Power LED	X	X	X
Power Knob	X	X	X
Flow rate Knob		X	X
Temperature Display			X

Розміри приладу: Висота 183 мм      Ширина 290 мм      Глибина 113 мм

**Table 2**

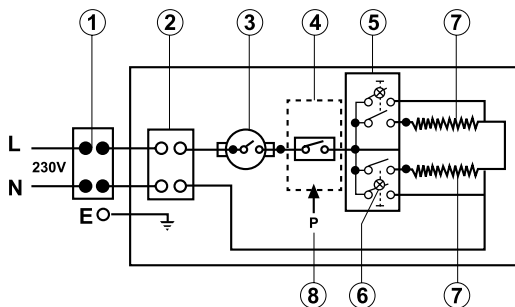
Потужність	кВт під навантаженням			Налаштування нагрівання	Рекомендований розмір дроту	Рекомендований запобіжник
	220V	230V	240V			
3.5kW	3.5	--	--	1.5+2.0 kW	1.5 mm <sup>2</sup>	16 A
3.5kW	3.5	--	4.1	1.5+2.0 kW	2.5 mm <sup>2</sup>	25 A
5.5kW	5.5	--	6.5	2.2+3.3 kW	4 mm <sup>2</sup>	32 A

• Робочий тиск води 20-800 кПа (0,2-8 бар) • Вимкнення живлення залежно від тиску води  
 • Стандартне пресоване з'єднання Ø1/2" на вході • Вхід дроту згори ліворуч і праворуч • Вхід води знизу ліворуч

## МОНТАЖ

### До 3.5 кВт (одна фаза)

1. Багатополюсний вимикач
2. Клемна колодка
3. Термостат
4. Мікроперемикач
5. Вимикач
6. Світлодіодний індикатор
7. Нагрівальні елементи
8. Реле тиску






## Пошук і усунення несправностей

ПРОБЛЕМА	МОЖЛИВА ПРИЧИНА	РІШЕННЯ
Вода недостатньо гаряча	Занадто сильний потік води через нагрівач  Зниження навколишньої температури  Тиск води нижче 100 кПа  Несправність електричної системи	Знизьте тиск води, прикривши кран.  Змініть на більш високе налаштування температури.  Перевірте, чи повністю відкритий магістральний запірний кран, і чи немає інших перешкод в лінії.  Здайте нагрівач на перевірку кваліфікованому електрику або зверніться до місцевого авторизованого дистриб'ютора.
Вода занадто гаряча	Недостатній потік води через нагрівач  Підвищення навколишньої температури	Збільште тиск води, для чого відкрийте кран.  Змініть на нижче налаштування температури.
Нагрівач вимикається в процесі використання	Відключення електрики в мережі  Спрацьовування аварійного захисту, можливо, в результаті витоку на землю	Перевірте електроживлення, автоматичний вимикач, перемикачі й дріт живлення. Перевірте витік на землю й скиньте аварійний захист.  Якщо проблема не вирішена, зверніться до авторизованого дистриб'ютора по допомогу.
Вода припинає текти	Лійка забита або перекошена, забитий гнучкий шланг душа  Немає постачання води	Почистіть або замініть лійку, перевірте чи вільно вода проходить по шлангу. Замініть при необхідності.  Перевірте, чи є вода в системі, чи відкритий запірний кран, і чи не забиті елементи системи.
Температура води змінюється з гарячої на холодну під час використання	Тиск води впав нижче мінімального рівня	Збільште подачу гарячої води.
Немає гарячої води, незважаючи на повністю відкритий кран	Немає електрики  Не досягнутий необхідний для ввімкнення нагрівального елемента тиск води	Перевірте положення автоматичного вимикача й напругу в мережі.  Очистіть сітчастий фільтр <ul style="list-style-type: none"> <li>• Вимкніть автоматичний вимикач.</li> <li>• Відкрийте кран гарячої води, щоб скинути тиск в приладі.</li> <li>• Ввімкніть автоматичний вимикач.</li> </ul>

## ЖАЛПЫ ҚАУІПСІЗДІККЕ ҚАТЫСТЫ НҰСҚАУЛАР АБАЙ БОЛЫҢЫЗ!

1. Бұл нұсқаулық — өнімнің ажырамайтын бір бөлігі. Оны құрылғымен бірге сақтаңыз және құрылғы иесі ауысатын болса, оны келесі пайдаланушыға/өнім иесіне табыстаңыз.
2. Осы нұсқаулықтағы нұсқаулар мен ескертулерді мұқият оқып шығыңыз; онда құрылғыны қауіпсіз орнату, қолдану және оған техникалық қызмет көрсету туралы маңызды ақпарат берілген.
3. Құрылғыны білікті маман жергілікті заңдарға және денсаулық пен еңбекті қорғау қаулыларына сәйкес орнатуы және пайдалануға беруі тиіс. Ағытпалар блогын ашудан бұрын, барлық қуат тізбектері өшірілуі керек.
4. Құрылғыны белгіленген мақсатынан басқа ешбір мақсатта қолдануға **БОЛМАЙДЫ**. Бұрыс қолданудан не дұрыс қолданбау немесе осы нұсқаулықта берілген нұсқауларды орындамау салдарынан пайда болған залалға өндіруші жауапты болмайды.
5. Дұрыс орнатпау салдарынан мүлікке зақым келуі және адамдар мен жануарлар жарақат алуы мүмкін; өндіруші мұндай жағдайларда жауапты болмайды.
6. Қаптама материалдарын (қыстырғыштар, пластик қаптар, көбікполистирол, т.б.) балалардың қолы жететін жерде **ҚАЛДЫРМАҢЫЗ** — олар ауыр жарақатқа себеп болуы мүмкін.
7. **Бұл құрылғыны 3 жастан асқан балалар және одан да жоғары балалар және физикалық, сенсорлық немесе ақыл-ой қабілеті төмен адамдар немесе егер олар құрылғыны қауіпсіз жолмен пайдалану және қауіпті жағдайларды түсіну туралы қадағалау орны бар болса, қолдануға болады . Балаларға құрылғымен ойнауға РҰҚСАТ БЕРМЕҢІЗ. Бақыланбаған балаларға өнімді тазалауға және оған техникалық қызмет көрсетуге болмайды.**
8. Барлық жөндеу, техникалық қызмет көрсету, түтіктерді және электр сымдарын жалғау жұмыстарын білікті мамандар түпнұсқалы қосалқы бөлшектерді ғана қолданып, орындауы тиіс. Жоғарыдағы нұсқаулары орындалмаған жағдайда құрылғының қауіпсіздігіне нұқсан келуі мүмкін, мұндай жағдайда өндіруші барлық жауапкершіліктерден босатылады.
9. Ыстық судың температурасын термостат реттейді, сондай-ақ ол судың қауіпті деңгейге дейін қызып кетуіне жол бермейтін сақтандырғыш рөлін атқарады.
10. Электр сымдарды осы нұсқаулықта көрсетілгендей жалғау қажет.
11. Құрылғы қуат кабелімен жабдықталған болса, сол қуат кабелін уәкілетті қызмет көрсету орталығы немесе білікті маман ғана ауыстыруы тиіс.
12. Жұмыс істемей тұрғанда немесе температура нөлден төмен түсетін жерлерде құрылғыдағы суды ағызуды ұмытпаңыз.
13. Тұтанғыш материалдарды құрылғыға тиіп тұрған қалпында немесе оның жанында қалдыруға болмайды.
14. Суқыздырғышты дененің сулы бөліктерімен немесе еденде жалаңаяқ тұрып тұртуге **ТҮЙІМ САЛЫНАДЫ**.
15. Агрегатты пайдалану алдында және жүйелі немесе жоспардан тыс техникалық қызмет көрсету жұмыстарынан кейін агрегат багін сумен толтырып, барлық қалған ластануды кетіру үшін оны толығымен босату керек.
16. Агрегат астында тұрмаңыз және су кемуі әсер ететін нысандар астына қоймаңыз.

Таңба	Мағынасы
	Осы ескертуді ескермеу салдарынан адамдар жарақат алып, кейбір жағдайларда мерт болуы мүмкін.
	Осы ескертуді ескермеу салдарынан тіпті мүлікке, өсімдіктерге және жануарларға залал тиюі немесе жарақаттауы мүмкін
	Өнімнің жалпы және ерекше қауіпсіздік нұсқауларын ұстаныңыз.

## ЖАЛПЫ ҚАУІПСІЗДІК НҰСҚАУЛАРЫ

№	Ескерту	Қауіп-қатер	Таңба
1.	Құрылғыны ашуға немесе орнатылған жерінен алуға болмайды	Электр жабдық кернеулі болғандықтан, ток соғуы мүмкін. Жарақат алу, ыстық құрамдас бөліктерге тиіп, күйіп қалу және үшкір жерлерге тиіп, жаралану қаупі	
2.	Құрылғыны қуат кабелінен ұстап сұғу/тарту арқылы іске қосуға немесе өшіруге болмайды	Қуат кабелі, оның айыры немесе розеткаға зақым келіп, ток соғуы мүмкін	
3.	Қуат кабеліне зақым келтірмеңіз	Кернеулі сымдарға тиіп, ток соғуы мүмкін	
4.	Құрылғыға заттарды қойып кетпеңіз	Дірілдеу салдарынан құрылғыдан заттар түсіп кетіп, адамдар жарақат алуы мүмкін	
		Дірілдеу салдарынан құрылғыдан заттар түсіп кетіп, құрылғыға немесе басқа мүлікке зақым келуі мүмкін	
5.	Құрылғыны үстіне мінуге болмайды	Құрылғыдан құлап кетіп, адамдар жарақат алуы мүмкін	
		Құрылғы тұғырынан ажырап кетіп, құрылғыға немесе басқа мүлікке зақым келуі мүмкін	
6.	Алдымен құрылғыны өшірмей, оның қуат кабелін ажыратпай немесе қуат қосқышын өшірмей, құрылғыны тазалауға болмайды	Электр жабдық кернеулі болғандықтан, ток соғуы мүмкін	
7.	Құрылғыны дірілдемейтін мықты қабырғаға орнатыңыз	Құрылымның қирауы немесе шулап жұмыс істеу салдарынан құрылғы қабырғадан түсіп кетуі мүмкін	
8.	Жалғанатын электр сымдардың жуандығы тиісті болуы керек	Электр сымдар қызып кетуі немесе тым жіңішке болуы салдарынан өрт шығуы мүмкін	
9.	Құрылғыны реттегеннен немесе жөндегеннен кейін, барлық қауіпсіздік және бақылау функцияларын қалпына келтіріп, қайтадан пайдалануға беруден бұрын, олар жұмыс істейтінін тексеріңіз	Дұрыс бақылау салдарынан құрылғыға зақым келуі немесе бұғауланып қалуы мүмкін	
10.	Ішінде ыстық су тұрған құрамдас бөліктермен жұмыс істемес бұрын, олардағы суды ағызу шүмектері арқылы ағызыңыз	Күйіп қалу қаупі бар	
11.	Жүйені өнімнің «қауіпсіздік парағындағы» нұсқауларға сәйкес қақтан тазартыңыз; қақтан тазартқан кезде, бөлмені желдету, қорғаныс киімдерін кию, өнімдерді араластырмау және құрылғының өзі мен маңайындағы кез келген заттарды қорғау қажет	Ұятты химиялық заттардың төрі мен көзге тиюі, тыныспен ішке тартылуы немесе жұтылуы салдарынан адамдар жарақат алуы мүмкін	
		Қышқыл жеміруі салдарынан құрылғыға және маңайындағы заттарға зақым келуі мүмкін	
12.	Құрылғыны тазалау үшін инсектицидтерді, еріткіштерді немесе агрессивті жуғыш заттарды қолдануға болмайды	Пластик және боялған бөліктер мен қондырғыларға зақым келуі мүмкін	

## ТЕХНИКАЛЫҚ СИПАТТАМАЛАРЫ

Техникалық сипаттамаларды сипаттамалар тақтасынан қараңыз (бұл тақта су қыздырғыштың оң жағында орналасқан).

ӨНІМ ТУРАЛЫ АҚПАРАТ			
Қуаты	3.5kW	3.5-4.1kW	5.5-6.5KW
Кернеуі	220	220-240	220-240
Фазалар	Mono	Mono	Mono
Орнату	Шұңғылша үстіне		
Құрылымы	Ашық су беру құбыры		
Модель	Сипаттамалар тақтасын қараңыз		
Жиілік	50/60 Гц	50/60 Гц	50/60 Гц
Ток күші (А)	15.9 А	17.1 А	27.1 А
Судан қорғалу деңгейі	IP25		
Түтік қосылысы	1/2 дюйм BSP		
Минималды су қысымы	20 кПа (0.2 бар)		
Qelec (kwh)	2.119	2.119	2.119
Load Profile	XXS	XXS	XXS
Lwa (dB)	15 dB		
ηwh	40%		
Номиналды көлемі (л)	0,35 л	0,35л	0,35л
Салмағы	1,350 г	1,350 г	1,350 г
Өлшемдері	183 x 290 x113 мм		

**Өнімді тиісті жүйелік кедергісі 0,237 Омнан аспайтын қуат көзіне ғана жалғауға болады.**

**Пайдаланушы үй-жайындағы жалғау нүктесіндегі іс жүзіндегі тиісті жүйелік кедергі 0,237 Омнан асқан жағдайда, құзырлы орган жабдықты жалғауға шектеу қоюы мүмкін.**

**Бұл құрылғы IEC 60335-1 және IEC 60335-2-35 халықаралық электр қауіпсіздігі стандарттарына сәйкес келеді. Бар болған жағдайда, құрылғылардағы CE белгісі олардың төмендегі ЕК директиваларының негізгі талаптарына сәйкес келетінін дәлелдейді:**

- Төмен кернеу директивасы (ТКД): EN 60335-1, EN 60335-2-35, EN 60529, EN 62233, EN 50106.

- Электрмагниттік үйлесімділік (ЭМУ): EN 55014-1, EN 55014-2, EN 61000-3-2, EN 61000-3-3, EN 61000-3-11 және EN 61000-3-12.

- Қуатқа қатысты өнімдер (ҚҚӨ): Eu812, Eu814, EN50193-1-2013


## Орнату нұсқаулары: КЕПІЛДІК ДҰРЫС ОРНАТУҒА БАЙЛАНЫСТЫ БОЛАДЫ.

Лездік су қыздырғыш — қуатты үнемдей отырып, лезде ыстық сумен қамтамасыз етуге арналған жаңа құрылғы. Қысым қосқышы қосылып тұрғанда, қыздыру элементі ағып жатқан суды қыздырады.

### Жалпы ақпарат

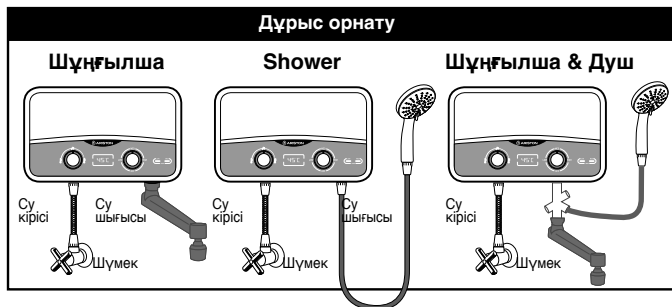
1. Құрылғыны білікті маман қолданыстағы қаулыларға және жергілікті денсаулық пен еңбекті қорғау қаулыларына сәйкес орнатуы және пайдалануға беруі тиіс.
2. Тізбекке қалдық ток құрылғысы (ELCB) орнатылғаны жөн.
3. Су құбырлары қыздырғыштан бұрын орнатылып, олардан су тамбайтыны тексерілуі керек.
4. Бұл құрылғыға кемінде 20 кПа (0,2 бар). су қысымы қажет.
5. ЕСКЕРТУ! Бірге берілген су беру құбыры керек-жарақтары ғана қолданылуы тиіс. Су беру құбыры әрдайым ашық болуы керек, себебі құрылғының жұмыс істеу принципі ашық су беру құбырына негізделген.
6. Құрылғыны балаларға немесе әлсіз адамдарға бақылаусыз қолдануға тыйым салынады. Балаларға құрылғымен ойнауға тыйым салынған.

### Шұңғылша мен душ қондырғысын орнату 3.5 - 5.5 кВт

1. Душ қондырғысын қабырғаға орнату қажет.
2. Электр кабельді қондырғы ішіндегі ағытпалар блогына жалғау үшін қақпақты алыңыз (2 винтті бұрап шешіңіз).
3. Бөліп таратқыш қалқанда қондырғының бөлек электр кабелі болуы тиіс (2-кестені қараңыз)
4. Құрылғыны су желісіне жалғап, қондырғы жалғаннан кейін, еш жерден су тамбайтынын тексеріңіз. Құрылғымен бірге берілген түтіктерді қолданыңыз, ескі түтіктерді қолданбаңыз.
5. Су кірісін қондырғыға жалғағаннан кейін, электр кабельді белгіленген ағытпалар блоктарына жалғаңыз. Құрылғыны жерге тұйықтау қажет, ал жерге тұйықтау кабелін (сызбада әріппен көрсетілген)  таңбасымен белгіленген ағытпаға жалғау керек.

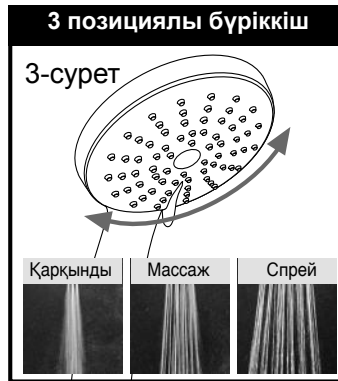
### ЕСКЕРТУ! Құрылғыны жерге тұйықтау қажет

6. Қондырғыны ток көзіне 2 полюсті айырып қосқыш арқылы
7. Кез келген жұмыстарды атқармас бұрын, құрылғыны сыртқы айырып қосқышпен ток көзінен ажыратып, одан кейін қуат кабелін құрылғыға жалғаңыз.
8. Электр кабельді белгіленген қысқышпен жалғаңыз.
9. Қақпақты орнына орнатыңыз (2 винт)



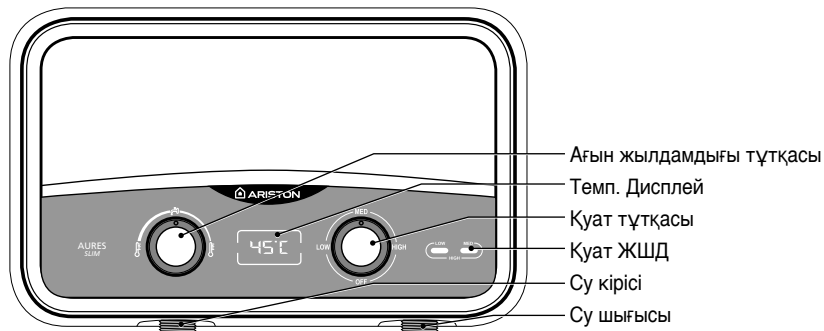
## Тиімді қолдану

1. Су шүмегін (кіріс құбырға дейін тұрған) құрылғы қосқышындағы шам «ҚОСУЛЫ» күйге келгенше ақырындап бұраңыз. Ыстық су аға бастағанша 15–20 секунд күтіңіз. Су салқынырақ болуы үшін, шүмекті бұрап, су температурасы қалағандай болғанша ақырындап су ағынын арттырыңыз. Су ыстығырақ болуы үшін шүмекті бұрап, су ағынын азайтыңыз.
2. Қыздыру параметрі:
  - OFF (Өшірулі) - қуат өшірулі
  - Low (Төмен) - тек 1-ші қыздыру элементі қосылады (сол жақ шам жанады)
  - Med (Орташа) - тек 2-ші қыздыру элементі қосылады (оң жақ шам жанады)
  - High (Жоғары) - 1-ші және 2-ші қыздыру элементтері қосылып, бірге жұмыс істейді (шамдардың екеуі де жанады)
3. AURES SLIM FLOW моделінде пайдаланушы температураны Қыздыру тұтқасымен, ал су ағынын Су ағыны тұтқасымен реттей алады. Су ағыны тұтқасы қалаған су температурасына жету үшін су ағыны реттеуге мүмкіндік береді. Су ағыны тұтқасы солға бұралса, су ағыны азайып, температура артады. Су ағыны тұтқасы оңға бұралса, су ағыны артып, температура азаяды. AURES SLIM DISPLAY моделінде AURES SLIM FLOW моделіндегі мүмкіндіктерге қоса, пайдаланушы шығыс су температурасын өнімде көре алады
4. Ағын бүріккішін душтың су сепкішінен бұрап, шешіп алып, жүйелі түрде жақсылап тазалап тұру керек. (2-сурет, 4-сурет)
5. Қондырғының максималды тиімділігіне қол жеткізу үшін душтың су сепкішін ұстап, оны ағынды арттыру не азайту үшін тиісті бағытқа бұраңыз, оның 3 позициясы бар (3-сурет). Шұңғылша қондырғысында жазда ашық сақиналарды, ал қыста бітеу сақиналарды орнатыңыз (ішкі сақина әрдайым ашық тұруы керек) (4-сурет).
6. Қондырғы су шүмегін ашқанда қосылып, су тоқтағанда өшіп, автоматты түрде жұмыс істейді.



### БҰЛ ӨНІМ WEEE 2012/19/EU ДИРЕКТИВАСЫНА СӘЙКЕС КЕЛЕДІ.

Құрылғыдағы үсті сызылған қоқыс қағаз себетінің таңбасы қызмет мерзімі аяқталғаннан кейін оны тұрмыстық қоқыстан бөлек тастау, сондай-ақ электр және электрондық жабдықты тастауға арналған мекемелерге тапсырылуы немесе жаңа өнімді сатып алған кезде сатушыға қайтарылуы керек екенін білдіреді. Пайдаланушы қызмет мерзімі аяқталған өнімді тиісті қоқыс жинау орталығына тапсыруға жауапты. Қоқыс жинау орталығы (ол арнайы өңдеу және кәдеге жарату процедураларына сәйкес құрылғыны тиімді түрде бөлшектеп, тастайды) өнімдегі материалдарды кәдеге жарату арқылы қоршаған ортаны қорғауға көмектеседі. Қоқыс жинау жүйелері туралы толығырақ мәлімет алу үшін жергілікті қоқыс жинау орталығына немесе өнімді сатқан дүкенге хабарласыңыз.



Feature	SLIM	SLIM FLOW	SLIM DISPLAY
Water Inlet	X	X	X
Water Outlet	X	X	X
Power LED	X	X	X
Power Knob	X	X	X
Flow rate Knob		X	X
Temperature Display			X

Құрылғының өлшемдері: Биіктігі 183 мм ені 290 мм қалыңдығы 113 мм

## 2-кесте

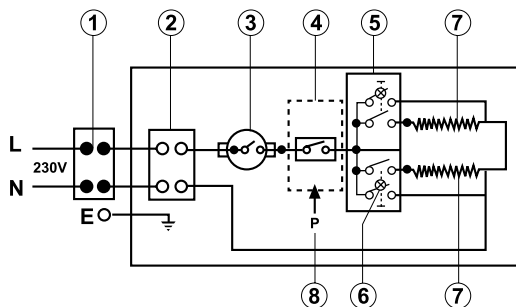
Қуаты	Жүктелген кВт			Қыздыру параметрі	Ұсынылған кабель өлшемі	Ұсынылған сақтандырғыш номиналы
	220V	230V	240V			
3.5kW	3.5	--	--	1.5+2.0 kW	1.5 mm <sup>2</sup>	16 A
3.5kW	3.5	--	4.1	1.5+2.0 kW	2.5 mm <sup>2</sup>	25 A
5.5kW	5.5	--	6.5	2.2+3.3 kW	4 mm <sup>2</sup>	32 A

• Жұмыс су қысымы 20-800 кПа (0,2-8 бар) • Су қысымымен реттелетін қуат қосқышы  
 • Стандартты Ø1/2 дюйм сығымдайтын кіріс қосылысы • Жоғарғы сол және оң жақ кабель кірісі • Төменгі сол жақ су кірісі

## ОРНАТУ

### 6 кВт-қа дейін (бір фазалы)

1. Көп полюсті айырып қосқыш
2. Ағытпалар блогі
3. Термостат
4. Шағын айырып қосқыш
5. Айырып қосқыштар
6. ЖШД шамы
7. Қыздыру элементтері
8. Қысым қосқышы





## Ақаулықтарды жою

НЫШАН	ЫҚТИМАЛ СЕБЕБІ	ШЕШІМІ
Су жетерліктей ыстық емес	Қыздырғыш арқылы тым көп су ағып өтуде Қоршаған орта температурасы төмендеген Су қысымы 100 кПа-дан төмен Ток ақауы	Су беру шүмегімен су ағының жылдамдығын азайтыңыз. Одан жоғары температура параметріне ауыстырыңыз. Су желісіндегі жапқыш клапан толығымен ашық екенін және су беру желісінде басқа кедергілер жоқ екенін тексеріңіз. Қыздырғышты білікті электршіге тексертіңіз немесе уәкілетті жергілікті дистрибьюторға хабарласыңыз.
Су тым ыстық	Қыздырғыш арқылы тым аз су ағып өтуде Қоршаған орта температурасы көтерілген	Су беру шүмегімен ағын жылдамдығын арттырыңыз Одан төмен температура параметріне ауыстырыңыз
Қолдану кезінде қыздырғыш қосқышы өшіп тұрады	Ток желісінің бір жері үзілген ELSD іске қосылған, жерге ток кетіп жатқан болуы мүмкін	Кіріс қуат көзін, негізгі басқару тақтасын, айырып қосқыштарды және ток беру кабельдерін тексеріңіз. Жерге ток кетіп жатпағанын тексеріп, ELSD құралын тексеріңіз Ақау шешілмей қойса, көмек алу үшін уәкілетті жергілікті дистрибьюторға хабарласыңыз.
Су ақпайды	Су бүріккіш бітелген, иілгіш душ түтігі майысқан немесе бітелген. Су берілмейді.	Су бүріккішті тазалаңыз не ауыстырыңыз; түтік арқылы су кедергісіз өтетінін тексеріңіз. Қажет болса ауыстырыңыз. Су беру желісін, жапқыш клапан ашық тұрғанын және кедергі жоқ екенін тексеріңіз.
Қолданған кезде су бір ыстық, бір суық болып, ауытқып тұрады.	Су қысымы мин. деңгейден азайған.	Берілетін ыстық су мөлшерін арттырыңыз.
Ыстық су шүмегі толығымен ашық болғанына қарамастан, ыстық су ақпайды	Ток жоқ Ағын жылдамдығы қыздыру элементін іске қосатын мәнге жетпеген.	Тізбек ажыратқышын және жалғау панеліндегі кернеуді тексеріңіз. Сүзгі бетін тазалаңыз • Тізбек ажыратқышын өшіріңіз • Қондырғыдан қысымды шығару үшін ыстық клапанды ашыңыз. • Тізбек ажыратқышын қосыңыз.

## უსაფრთხოების ზოგადი ინსტრუქციები გაფრთხილება !

1. ეს სახელმძღვანელო ამ პროდუქტის განუყოფელ ნაწილს წარმოადგენს. გაუფრთხილდით მას, შეინახეთ მოწყობილობასთან ერთად და მისი მომხმარებლის/მფლობელის შეცვლის შემთხვევაში, ეს სახელმძღვანელოც მას გადაეცით.
2. ყურადღებით გაეცანით ამ სახელმძღვანელოში მოცემულ ინსტრუქციებს და გაფრთხილებებს, რადგან მათში მოცემულია ამ მოწყობილობის უსაფრთხო მონტაჟთან, გამოყენებასთან და მოვლასთან დაკავშირებული მნიშვნელოვანი ინფორმაცია.
3. ამ მოწყობილობის მონტაჟი და ექსპლუატაციაში გაშვება უნდა მოხდეს კვალიფიციური სპეციალისტის მიერ ადგილობრივი კანონმდებლობის და ჯანდაცვისა და უსაფრთხოების რეგულაციების მოთხოვნების შესაბამისად. ტერმინალის ბლოკის გახსნამდე ყველა ელექტრული კვების წრედი გათიშული უნდა იყოს.
4. ეს მოწყობილობა გამოყენებულ უნდა იქნას მხოლოდ პირდაპირი დანიშნულებით. მწარმოებელი არ არის პასუხისმგებელი ზიანზე, რომელიც შეიძლება გამოწვეული იყოს ამ მოწყობილობის არასათანადო ან არასწორი ექსპლუატაციით ან წინამდებარე სახელმძღვანელოში მოცემული ინსტრუქციების უგულვებელიყოფით.
5. არასწორმა მონტაჟმა შეიძლება ქონების დაზიანება და ადამიანის ან ცხოველების დაზავება გამოიწვიოს. ამ შემთხვევაში მწარმოებელი არ არის პასუხისმგებელი მიყენებულ ზიანზე.
6. შესაფუთი მასალები (სტეპლერის ტყვიები, პლასტიკური პაკეტები, პოლისტიროლის გაშლილი ლენტები და ა.შ.) ბავშვებისთვის მიუწვდომელ ადგილას უნდა შეინახოთ, რადგან ამ მასალებს სხეულის სერიოზული დაზიანების გამოწვევა შეუძლია.
7. ეს მოწყობილობა შეიძლება გამოყენებულ იქნას 3 წლის და ზემოთ მოყვანილი ბავშვებისა და ფიზიკური, სუნთქვითი ან განვითარების შესაძლებლობების შემცირებით ან გამოცდილებისა და ცოდნის ნაკლებობით, თუ მათ გადაეცათ ზედამხედველობის ორნაკეთი უსაფრთხო გზაზე უსაფრთხო გზაზე და გაეცანით საფრთხეს. არ მისცეთ ბავშვებს ამ მოწყობილობით თამაშის უფლება. ამ მოწყობილობის წმენდა და მოვლა არ უნდა განხორციელდეს მეთვალყურეობის გარეშე დატოვებული ბავშვების მიერ.
8. ნებისმიერი სარემონტო და ტექნოსახურების, წყალოგაყვანილობასთან და ელექტროობასთან მიერთების სამუშაოები უნდა განხორციელდეს კვალიფიციურებული სპეციალისტების მიერ, მხოლოდ ორიგინალი სათადარიგო ნაწილების გამოყენებით. ზემოთ აღნიშნული ინსტრუქციების შეუსრულებლობამ შეიძლება საფრთხეები წარმოშვას. ამ შემთხვევაში მწარმოებელი არ არის პასუხისმგებელი მიყენებულ ზიანზე.
9. ცხელი წყლის ტემპერატურა რეგულირდება თერმოსტატის საშუალებით, რომელსაც ასევე უსაფრთხოების სისტემის ფუნქცია აკისრია, რადგან ის მოწყობილობას გადახურებისგან იცავს.
10. ელექტრულ ქსელთან შეერთება უნდა მოხდეს ამ სახელმძღვანელოში მითითებული ინსტრუქციების შესაბამისად.
11. თუ მოწყობილობა აღჭურვილია დენის კაბელით, ამ უკანასკნელის შეცვლა უნდა განხორციელდეს უფლებამოსილი მომსახურების ცენტრის წარმომადგენლის ან კვალიფიციური სპეციალისტის მიერ.
12. ექსპლუატაციიდან ამოღების ან ნულზე დაბალ ტემპერატურულ გარემოში მოთავსების შემთხვევაში ეს მოწყობილობა წყლისგან უნდა დაიცავდეს.
13. არ მოათავსოთ აალებადი მასალები ამ მოწყობილობაზე ან მის სიახლოვეს.
14. არ შეეხოთ აპარატს, როდესაც ფეხშიშველი ხართ ან თქვენი სხეულის რომელიმე ნაწილი სველია
15. მოწყობილობის გამოყენებამდე და რუტინული ან საგანგებო მოვლა-პატრონობის შემდეგ, ჩვენი გირჩევთ, შეავსოთ მოწყობილობის ავზი წყლით და სრულად დაიწიოთ, რათა თავიდან იქნას აცილებული ნარჩენების მინარეკები.
16. წყლის გამაცხელებლის კვშ არ მოათავსოთ ისეთი რამ, რაც შეიძლება დაზიანდეს გაუონვით.

სიმბოლო	შნიშვნელობა
	ამ გაფრთხილების უფულვებელოფამ შეიძლება სხეულის დაზიანება გამოიწვიოს, რაც, ზოგ შემთხვევაში, შეიძლება ფატალური აღმოჩნდეს
	ამ გაფრთხილების უფულვებელოფამ შეიძლება სხეულის დაზიანება, ქონების, მცენარეების და ცხოველების დაზიანება გამოიწვიოს
	გაეცანით ამ პროდუქტთან დაკავშირებულ ზოგად და სპეციფიურ უსაფრთხოების ინსტრუქციებს.

## ზოგადი უსაფრთხოების სტანდარტები

ნომ.	ფრთხილად	რისკი	სიმბოლო
1.	არ მოხსნათ საფარი ამ მოწყობილობას ან არ გადააადგილოთ მოწყობის ადგილიდან	არსებობს დენისდარტყმის საფრთხე, რადგან ელექტრული აღჭურვილობაძაბვის ქვეშაა. სხეულის დაზიანება -ცხელი კომპონენტებით გამოწვეული დამწვრობა ან ბასრი კიდევბით გამოწვეული ჭრილობებბ	
2.	არ ჩართოთ ან გათიშოთ ეს მოწყობილობა დენის კაბელის როზეტბი შეერთებბით/როზეტბიდან ჩახსნით	არსებობს დაზიანებული კაბელით, ელექტროჩანგლით ან როზეტბით გამოწვეული დენის დარტყმის საფრთხე	
3.	ეცადეთ არ დააზიანოთ დენის კაბელი	არსებობს ძაბვის ქვეშ მყოფი უიზოლაციო სადენით გამოწვეული დენის დარტყმის საფრთხე	
4.	არ მოათავსოთ საგნებბ ამ მოწყობილობაზე	ვიბრაციის გამო შეიძლება ეს საგნებბ მოწყობილობის კორპუსბიდან გადმოგვივიდეს და სხეულის დაზიანება გამოიწვიოს	
		ვიბრაციის გამო საგნების გადმოვარდნა შეიძლება ამ მოწყობილობის ან სხვა ქონების დაზიანება გამოიწვიოს	
5.	არ აძვრეთ ამ მოწყობილობის კორპუსზე	შეიძლება გადმოვარდეთ და სხეულის დაზიანება მიიღოთ	
		მოწყობილობა შეიძლება სამაგრბიდან მოძვრეს და თვით ამ მოწყობილობის ან სხვა ქონების დაზიანება გამოიწვიოს	
6.	სანამ ამ მოწყობილობის წმენდას დაიწყებბ, პირველ რიგბ, გათიშეთ კვების წყაროდან, რისთვისაც ჩახსნით დენის კაბელი ან გამორთეთ გამომრთველის მეშვეობბ	არსებობს დენის დარტყმის საფრთხე, რადგან ელექტრული აღჭურვილობა ძაბვის ქვეშაა	
7.	დაამონტაჟეთ ეს მოწყობილობა მყარ, არაკვიბრირებად კედელზე	არსებობს ამ მოწყობილობის კედლის საკბიდან ჩამოვარდნის საფრთხე, ამ შემთხვისას მოწყობილობამ შეიძლება ძლიერად ინმავროს	
8.	დარწმუნდით, რომ ელექტრო ქსელთან შეერთების დროს იყნებბ სათანადო სისქის სადენებს	წვრილი სადენების გამოყნებამ შეიძლება ამ სადენების გადახურება და ნაძარი გამოიწვიოს	
9.	ამ მოწყობილობის ტემპმასხურების დასრულების შემდეგ, მის ჩართვამდე გაააქტიურეთ ყველა უსაფრთხოების და კონტროლის ფუნქცბა და შეამოწმეთ მათი გამართულობა	არასათანადო კონტროლმა შეიძლება მოწყობილობის დაზიანება ან გაჭედვა გამოიწვიოს	
10.	მოწყობილობის მომსახურების დაწყებამდე დაცალეთ ყველა კომპონენტი ცელი წყლისგან, რისთვისაც მოუშვით სადრენაჟე სარქველებბ	არსებობს დამწვრობის მიღების საფრთხე	
11.	სისტემის ნადებისგან გაწმენდის დროს, გამოიყნეთ საწმენდი საშუალების „უსაფრთხოების ინსტრუქციებბ“. ამ დროს გაანთავსეთ ოთახი, გამოიყნეთ დამცავი ტანსაცმელი, ერთმანეთბი არ აუროთ სხვადასხვა საწმენდი პროდუქტბი და უზრუნველყავით თვით მოწყობილობის და გარშემო არსებული საგნების დაცვა დაზიანებისგან	არსებობს საწმენდ მასალაში შემავალი ტოქსიკური ნივთიერების კანზე და თვალბი მოხვედრბ, მისი ჩასუნთქვბით ან ჩაყლაპვბით გამოწვეული სხეულის დაზიანების საფრთხე	
		არსებობს მოწყობილობის და გარშემო არსებული საგნების მყავათბი გამოწვეული კოროზიით დაზიანების საფრთხე	
12.	ამ მოწყობილობის წმენდისთვის არ გამოიყნოთ ინსექტიციდებბ, გაძსნელებბ ან აგრესიული სარეცბი საშუალებებბ	ამან შეიძლება პლასტბის ან მედებილი ნაწილების და კომპონენტბის დაზიანება გამოიწვიოს	

## ტექნიკური მახასიათებლები

ტექნიკური სპეციფიკაციების გასაცნობად იხილეთ საინფორმაციო ფირფიტა (საინფორმაციო ფირფიტა დამატებულია წყლის გამაცნელებლის მარჯვენა მხარეს).

ინფორმაცია პროდუქტის შესახებ			
სიმძლავრე	3.5კვტ	3.5-4.1კვტ	5.5-6.5კვტ
ძაბვა	220	220-240	220-240
ფაზები	მონო	მონო	მონო
მონტაჟი	ნიჟარის თავზე		
მოწყობა	ღია გამომავალი მილი		
მოდელი	იხილეთ საინფორმაციო ფირფიტა		
სიზშირე	50/60 ჰვ	50/60 ჰვ	50/60 ჰვ
ამპერი	15.9 A	17.1 A	27.1 A
Water Protection	IP25		
წყლისგან დაცვა	1/2" BSP		
წყლის მინიმალური წნევა	20 კპა (0.2 ბარი)		
Qelec (kwh)	2.119	2.119	2.119
Load Profile	XXS	XXS	XXS
Lwa (dB)	15 dB		
ηwh	40%		
ნომინალური მოცულობა (ლ)	0,35 ლ	0,35 ლ	0,35 ლ
წონა	1,350 გრ	1,350 გრ	1,350 გრ
ზომები	183 x 290 x113 მმ		

ეს პროდუქტი უნდა ჩაირთოს მხოლოდ იმ ელექტრულ ქსელში, რომლის სისტემის წინააღობა არ აღემატება 0.237 ომს.

თუ თქვენი ელექტრო ქსელის სისტემის წინააღობა აჭარბებს 0.237 ომს, ელექტროენერჯიის მომწოდებელი უწყების მიერ შეიძლება დაწესდეს შეზღუდვა ამ მოწყობილობის ქსელში ჩართვასთან დაკავშირებით.

ეს მოწყობილობა შეესაბამება საერთაშორისო ელექტრული უსაფრთხოების სტანდარტებს IEC 60335-1 და IEC 60335-2-35. წარწერა „CE“ აღნიშნავს, რომ მოწყობილობა შეესაბამება ევროკომისიის ქვემოთ ჩამოთვლილ დირექტივებს და აკმაყოფილებს მათ ძირითად მოთხოვნებს:

- LVD დაბალ ძაბვასთან დაკავშირებული დირექტივა: EN 60335-1, EN 60335-2-35, EN 60529, EN 62233, EN 50106.
- EMC ელექტრომაგნიტური თავსებადობა: EN 55014-1, EN 55014-2, EN 61000-3-2, EN 61000-3-3, EN 61000-3-11 და EN 61000-3-12.
- ERP ენერჯიასთან დაკავშირებული პროდუქტები: Eu812, Eu814, EN50193-1-2013

# მონტაჟის ინსტრუქციები:


## გარანტია მოქმედებს მხოლოდ სწორად მონტაჟის შემთხვევაში.

ეს მყისიერი წყლის გამაცხელებელი ინოვაციური მოწყობილობაა, რომელიც უზრუნველყოფს ცხელი წყლის მყისიერად მიწოდებას და ამავედროულად ზოგავს ელექტროენერჯიას. წნევის სენსორის გააქტიურებისთანავე ირთვება გამაცხელებელი ელემენტი, რომელიც აცხელებს გამდინარე წყალს.

## ზოგადი ინფორმაცია

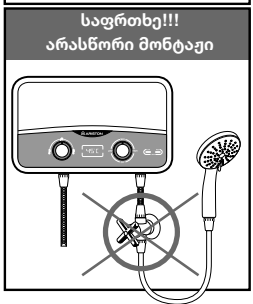
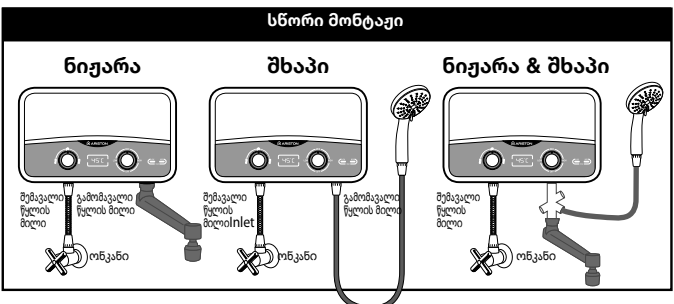
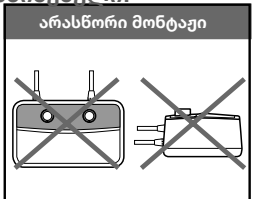
1. ამ მოწყობილობის მონტაჟი და ექსპლუატაციაში გაშვება უნდა მოხდეს კვალიფიციური სპეციალისტის მიერ ადგილობრივი კანონმდებლობის და ჯანდაცვისა და უსაფრთხოების რეგულაციების მოთხოვნების შესაბამისად.
2. რეკომენდებულია ელექტროულ წრედში გამოყენებულ იქნას ნარჩენი დენისგან დამცავი მოწყობილობა (ELCB).
3. წყლის მიღების მონტაჟი უნდა დასრულდეს წყლის გამაცხელებლის მონტაჟის დაწყებამდე. ასევე საჭიროა ამ მიღების ტესტირება, რათა გამოირიცხოს წყლის გაჟონვა.
4. ამ მოწყობილობაში შემავალი წყლის წნევა უნდა იყოს არანაკლებ 20 კპა (0,2 ბარი). როდესაც წყლის მიწოდების მილი მარცხნიდან უერთდება, ეს მოწყობილობა უნდა დამონტაჟდეს ჰორიზონტალურ მდგომარეობაში.
5. ფრთხილად! გამოიყენეთ მხოლოდ მოწყობილობასთან ერთად მოწოდებული გამომავალი მილის აქსესუარები. წყლის გამომავალი მილი ყოველთვის ღია უნდა იყოს, რადგან ამ მოწყობილობის მუშაობის პრინციპი წყლის ღიად გამოშვების სისტემას ეფუძნება.
6. აკრძალულია ამ მოწყობილობის გამოყენება ბავშვების ან უნარშეზღუდული პირების მიერ ზედამხედველობის გარეშე. არ მისცეთ ბავშვებს ამ მოწყობილობით თამაშის უფლება.

## ნიჟარის და საშხაპის 3.5 კვტ - 6,5 კვტ. გამაცხელებლის მონტაჟი:

1. საშხაპის გამაცხელებელი კედელზე უნდა იყოს დამონტაჟებული.
2. მოხსენით საფარი და ელექტრო კაბელი დააერთეთ კვების ბლოკს, რომელიც განთავსებულია აპარატში. (მოხსენით 2 ზრახნი).
3. დანადგარს უნდა ჰქონდეს ცალკე ელექტროკაბელი გადამრთველ დაფაში. (იხილეთ მე-2 ცხრილი).
4. დააერთეთ აპარატი წყლის ქსელთან და შემოწმეთ ხომ არ ჟონავს. გამოიყენეთ მხოლოდ თანმომყოლი შლანგები.
5. მოწყობილობაზე წყლის ქსელთან შეერთების შემდეგ, დააერთეთ ელექტრო კაბელი კვების ბლოკში. მოწყობილობა უნდა იყოს დამიწებული და სპეციალური ადნინშენის მქონე დამიწების კაბელი შეერთებული კვების ბლოკზე. 

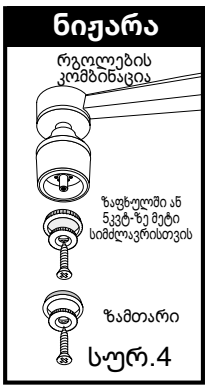
## გაფრთხილება! მოწყობილობა აუცილებლად უნდა იყოს დამინებული!

6. მოწყობილობა უნდა იყოს დაერთებული დენის წყაროზე ორ პოლუსიანი ჩამრთველით
7. ნებისმიერი ქედების განხორციელებამდე გამოაერთეთ მოწყობილობა დენის წყაროდან.
8. შეაერთეთ ელექტრო კაბელი სპეციალურ მომჭერთან.
9. დაამაგრეთ საფარი ( 2 ზრახნით).



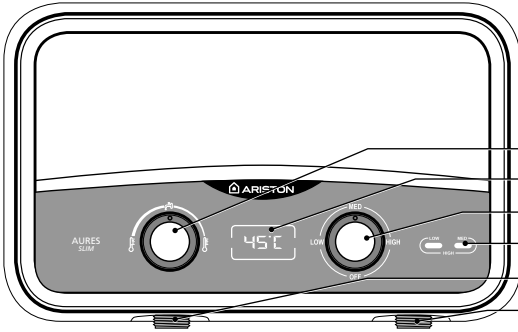
# მაქსიმალური ეფექტურობის მისაღწევად

1. ნელა მოუშვით წყლის ონკანი ( შესასვლელი მილის წინ) სანამ მოწყობილობაზე არ აინთება მაჩვენებელი ON. დაელოდეთ 15-20 წამი, სანამ ცხელი წყალი დაიწყებს დინებას. წყლის სასურველი ტემპერატურის მისაღებად, შეგიძლიათ გაზარდოთ ან შემამციროთ შემაჯავალი წყლის მიწოდება.
2. გათბობის პარამეტრები  
 OFF - მოწყობილობა გამორთულია  
 LOW - მხოლოდ პირველი გათბობის ელემენტი ჩართული ( მარცხენა ინდიკატორი ანთია)  
 MED - მხოლოდ მეორე გათბობის ელემენტი ჩართული ( მარჯვენა ინდიკატორი ანთია)  
 HIGH - ორივე გათბობის ელემენტი ჩართულია და მუშაობს ერთდროულად (ორივე ინდიკატორი ანთია).
3. AURES SLIM FLOW მოდელში მომხმარებელს შეუძლია მართოს წყლის ტემპერატურა და ნაკადი სიჩქარე შესაბამისი სახელურით. წყლის დინების სახელურის მარჯვნივ დატრიალებით, მოწყობილობაში წყლის შედინება იმატებს და ტემპერატურა მცირდება, მარცხნივ დატრიალებით კი დროს კი წყლის შედინება მცირდება და წყლის ტემპერატურა იმატებს. AURES SLIM DISPLAY დაAURES SLIM FLOW მოდელები მომხმარებელს უჩვენებს წყლის ტემპერატურას.
4. შხაპის თავაკი პერიოდულად უნდა გაიწმინდოს, რისთვისაც უნდა მოხსნათ თავი და საფუძვლიანად გაასუფთავოთ. (სურ.2, სურ.4)
5. მოწყობილობის მაქსიმალურად ეფექტურად გამოყენებისთვის, წყლის ნაკადი დაარეგულირეთ შხაპის თავაკის დატრიალებით - შეგიძლიათ დაარეგულიროთ 3 პოზიციაზე (სურ. 3).
6. ნიჟარის ბლოკისთვის - ზაფხულში დააყენეთ ღია რგოლები, ხოლო ზამთარში - დახურული რგოლები (შიდა რგოლი ყოველთვის ღია უნდა იყოს) (სურ.4).
7. ბლოკი ავტომატურად ირთვება წყლის ონკანის გახსნისას და ითიშება ონკანის დაკეტვისას.



## ეს პროდუქტი შეესაბამება WEEE 2012/19/EU დირექტივას.

როდესაც მოწყობილობაზე გამოსახულია სიმბოლო გადანაჭული ნაკვის ყუთით, ეს ნიშნავს, რომ მისი ექსპლუატაციის ვადის გასვლის შემდეგ ეს მოწყობილობა არ უნდა იქნას გადაგდებული სხვა საყოფაცხოვრებო ნაგავთან ერთად, არამედ ის უნდა განადგურდეს ელექტრო და ელექტრონული მოწყობილობების გადამამუშავებელ სპეციალურ დაწესებულებაში ან, ახალი მოწყობილობის შექმნის შემთხვევაში, დაუბრუნდეს მოწყობილობის მომწოდებელ ორგანიზაციას. მომხმარებელი პასუხისმგებელია ამ პროდუქტის ნარჩენების გადამამუშავებელ ცენტრში მიტანაზე მისი ექსპლუატაციიდან ამოღების შემდეგ. ნარჩენების გადამამუშავებელი ცენტრი (სადაც მოწყობილობის ეფექტურად დაშლისთვის და უტილიზაციისთვის გამოიყენება სპეციალური გადაამუშავების პროცესები) პროდუქტის შემადგენელი ნაწილების გადამამუშავების მშვეობით ხელს უწყობს გარემოს დაცვას. ნარჩენების უტილიზაციის სისტემების შესახებ დამატებითი ინფორმაციის მისაღებად, ეწვიეთ ადგილობრივ ნარჩენების გადამამუშავებელ ცენტრს ან თქვენი პროდუქტის მომწოდებელ ორგანიზაციას.



- ნაკადის ინტენსივობის რეგულატორი
- ტემპერატურა, ეკრანი
- სიმძლავრის რეგულატორი
- სიმძლავრის რეგულატორის ნათურა
- შემავალი წყლის მილი
- გამომავალი წყლის მილი

	SLIM	SLIM FLOW	SLIM DISPLAY
შემავალი წყლის მილი	X	X	X
გამომავალი წყლის მილი	X	X	X
სიმძლავრის რეგულატორის ნათურა	X	X	X
სიმძლავრის რეგულატორი	X	X	X
ნაკადის ინტენსივობის რეგულატორი		X	X
ტემპერატურა, ეკრანი			X

დანადგარის ზომები: სიმაღლე 183მმ სიგანე 290მმ სიღრმე 113მმ

## ცხრილი 2

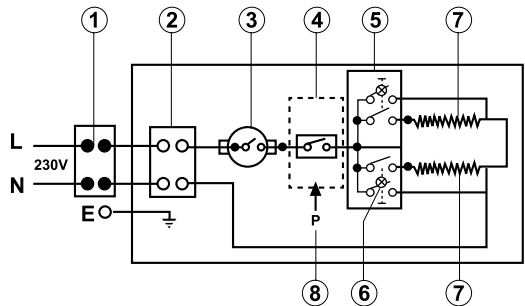
სიმძლავრე	კვტ დატვირთვა			გამაცხელების პარამეტრების დაყენება:	კაბელის რეკომენდებული ზომა	მცველის რეკომენდებული რეიტინგი
	220ვ	230ვ	240ვ			
3.5კვტ	3.5	--	--	1.5+2.0 კვტ	1.5 მმ <sup>2</sup>	16 ამპ
3.5კვტ	3.5	--	4.1	1.5+2.0 კვტ	2.5 მმ <sup>2</sup>	25 ამპ
5.5კვტ	5.5	--	6.5	2.2+3.3 კვტ	4 მმ <sup>2</sup>	32 ამპ

• წყლის სამუშაო წნევა 20-800 კპა (0.2-8 ბარი) • გამაცხელებლის ჩამრთველის გააქტიურებისთვის საჭიროა წყლის წნევა • სტანდარტული 1/2" მშმ შემავალი მილი კომპრესიისთვის • ზედა მარცხენა და მარჯვენა კაბელის შესასვლელები • ქვედა მარცხენა ხვრელი წყლის მილის შესაერთებლად

## მონტაჟი

### 3.5 კვტ-მდე (ერთფაზიანი)

1. მრავალპოლუსიანი ამომრთველი
2. ტერმინალის ბლოკი
3. თერმოსტატი
4. მიკროამომრთველი
5. ამომრთველები
6. შუქდიოდის ნათურა
7. გამაცხელებელი ელემენტები
8. წნევის ჩამრთველი

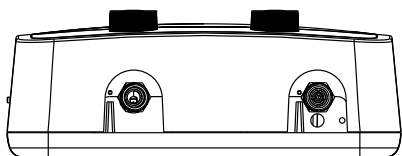
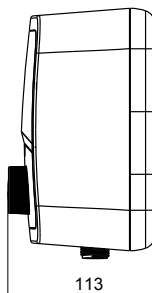
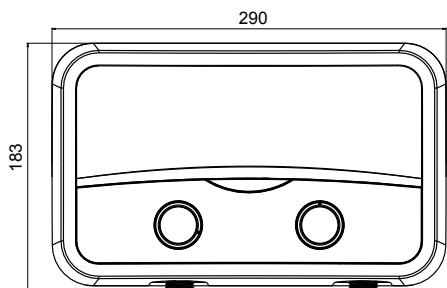


## გაუმართაობის აღმოფხვრა

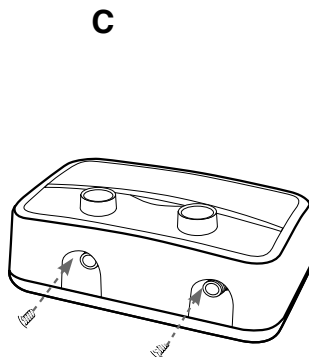
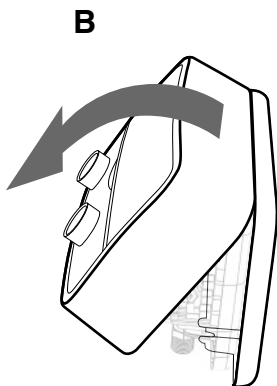
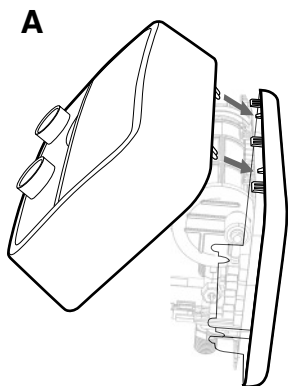
სიმპტომი	სავარაუდო მიზეზი	პრობლემის გადაჭრა
წყალი საკმარისად ცხელი არ არის	გამაცხელებელში გამავალი წყლის ნაკადის სიჩქარე ძალიან მაღალია გარემოს ტემპერატურა დაბალია  წყლის წნევა 100 კპა-ზე დაბალია  ადგილი აქვს ელექტრო სისტემის გაუმართაობას	შეამცირეთ წყლის ნაკადის სიჩქარე გამოშავალ მილიზე არსებული ონკანის მეშვეობით.  მოწყობილობა უფრო მაღალ ტემპერატურულ რეჟიმზე დააყენეთ.  შეამოწმეთ, თუ არის წყლის მიწოდების მილის სარქველი ბოლომდე გახსნილი და ხომ არ არის წყლის მიწოდების მილი გაჭედილი. გამაცხელებელი დანადგარი შეამოწმებინეთ კვალიფიციურ ელექტრიკოსს ან დაუკავშირდით ადგილობრივ უფლებამოსილ დისტრიბუტორს.
წყალი ძალიან ცხელია	გამაცხელებელში გამავალი წყლის ნაკადის სიჩქარე დაბალია  გარემოს ტემპერატურა მაღალია	გაზარდეთ წყლის ნაკადის სიჩქარე გამოშავალ მილიზე არსებული ონკანის მეშვეობით  მოწყობილობა უფრო დაბალ ტემპერატურულ რეჟიმზე დააყენეთ
გამოყენების დროს წყლის გამაცხელებელი ითიშება	ელექტროენერჯის მიწოდება წყდება  ითიშება ELSD მოწყობილობა, სავარაუდოდ დენის გაჟონვის გამო	შეამოწმეთ ელექტროენერჯის წყარო, MCB გამთიშველები, წრედის ამომრთველები და ელექტროგაყვანილობა. შეამოწმეთ დენის გაჟონვა და ხელახლა ჩართეთ ELSD მოწყობილობა  თუ პრობლემა არ გადაიჭრა, დახმარებისთვის დაუკავშირდით ადგილობრივ უფლებამოსილ დისტრიბუტორს.
წყლის ნაკადი წყდება	შხაპის თავაკი დაბლოკილია ან დრეკადი შლანგი გადაგრეხილი ან დაბლოკილია.  სისტემისთვის წყლის მიწოდება არ ხდება.	გაწმინდეთ ან შეცვალეთ შხაპის თავაკი, შეამოწმეთ, შლანგი მთელს სიგრძეზე. საჭიროებისამებრ შეცვალეთ.  შეამოწმეთ წყლის მიწოდების სისტემა. წყლის სარქველი ღიაა? შეამოწმეთ, ხომ არაფერი უშლის ხელს წყლის დინებას.
გამოყენების დროს წყლის ტემპერატურა იმატებს და იკლებს	წყლის წნევა მინიმალურ ზღვარს ქვემოთაა.	გაზარდეთ ცხელი წყლის მიწოდება,
ცხელი წყალი არ მოდის მიუხედავად იმისა, რომ ცხელი წყლის ონკანი სრულადაა მოშვებული	სისტემას ელექტროენერჯია არ მიეწოდება  წყლის ნაკადის ინტენსივობას არ მიუღწევია იმ დონემდე, რაც საჭიროა გამაცხელებელი ელემენტის აქტივაციისთვის.	შეამოწმეთ წრედის ამომრთველი და ასევე შეამოწმეთ ძაბვა ელექტროგაყვანილობის ბლოკში.  გაწმინდეთ ფილტრის ეკრანი <ul style="list-style-type: none"> <li>გათიშეთ წრედის ამომრთველი</li> <li>გახსენით ცხელი წყლის სარქველი დანადგარიდან წნევის გამოსაშვებად.</li> <li>ჩართეთ წრედის ამომრთველი.</li> </ul>



Product sizes / Размеры изделия / Розміри виробу  
Өнім өлшемдері / პროდუქტის ზომები



Close cover Steps / Порядок закрывания крышки / Порядок закривання кришки  
Қақпақты жабу қадамдары / საფარის დამაგრების საფეხურები







420011088602 - 07/2021

---

**Ariston Thermo S.p.A.**,  
Viale Aristide Merloni, 45  
60044 Fabriano (AN)  
Tel. (+39) 0732.6011  
ariston.com



WE MAKE USE OF  
RECYCLED PAPER